

Miniature slide guides DryLin® N



Material:

Bearing material maintenance-free iglidur® J.
 Rails anodised aluminium.

Version:

Guide rail natural colour anodised.
 Carriage fastening thread brass.

Sample order:

n1m 21320-1700 (Guide car, fixed bearing)

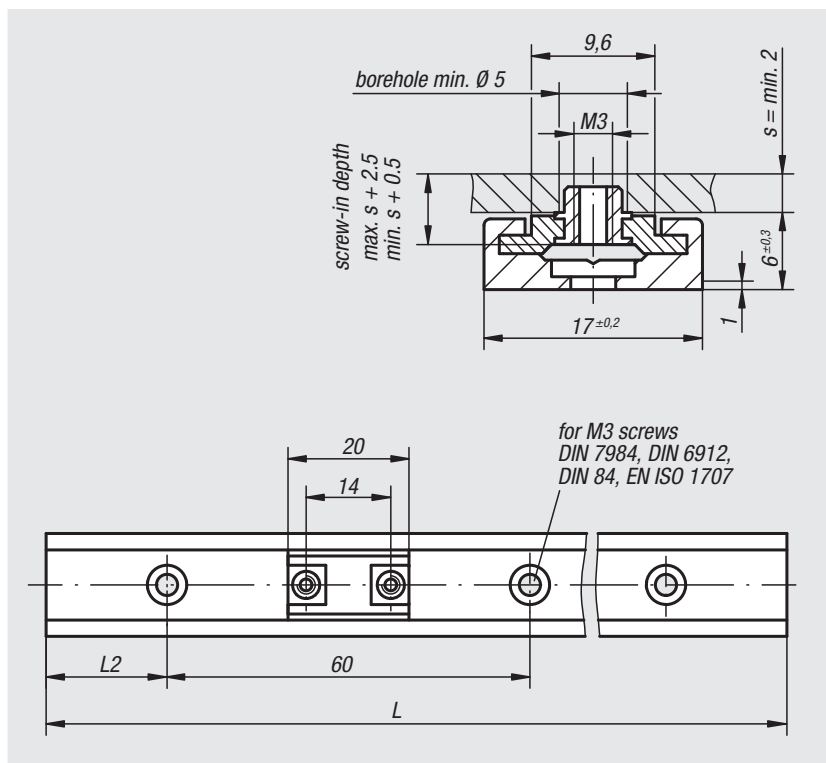
Ordering example guide rail:

n1m 21230-1720X1960 (L max.)
 n1m 21230-1720X500 (customer specific guide rail)

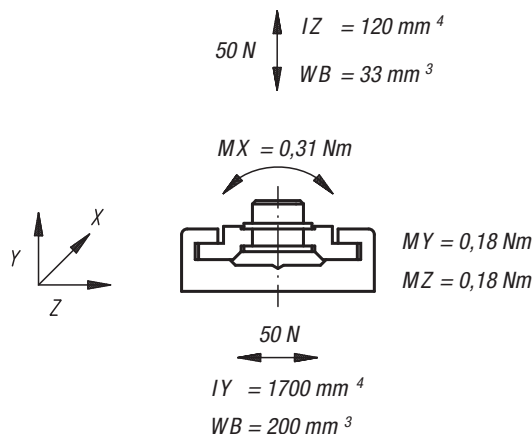
** lengths L2 = 20 mm
 * and L = 500 mm included
 L2 and L only available in full mm.

Note:

Miniature slide guides are maintenance-free and corrosion resistant. Very high speeds and accelerations are possible due to the low weight. Applicable temperature max. 80 °C. Miniature slide guides are insensitive to dust and ideally suited to dry running.



static load capacity and geometrical moment of inertia



Carriage

Order No.	Version 2
21230-1700	fixed bearing
21230-1710	floating bearing

Guide rails

Order No.	Version	L max.	L2
21230-1720X1960	L max.	1960	20

Order No.	Version	L2	L2 min.	L2 max.
21230-17**X*	L2 and L customer specific	**	20	49

20000
21000
22000
23000
24000
26000
27000
28000
29000
31000
32000
33000

Miniature slide guides DryLin® N



Material:

Carriage body zinc.
 Plastic bearing material iglidur® J.
 Rails anodised aluminium.

Version:

Body chromed.
 Guide rail natural colour anodised.

Sample order:

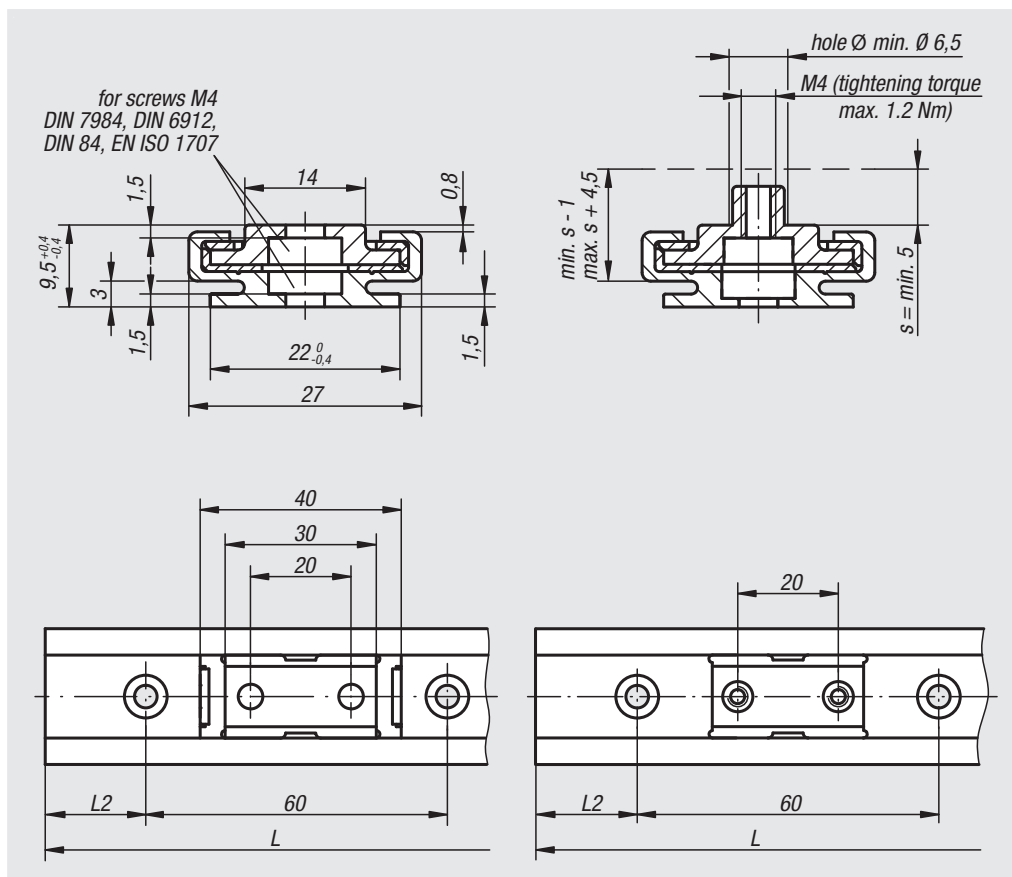
n1m 21230-2700 (guide carriage with hole, fixed bearing)

Ordering example guide rail:

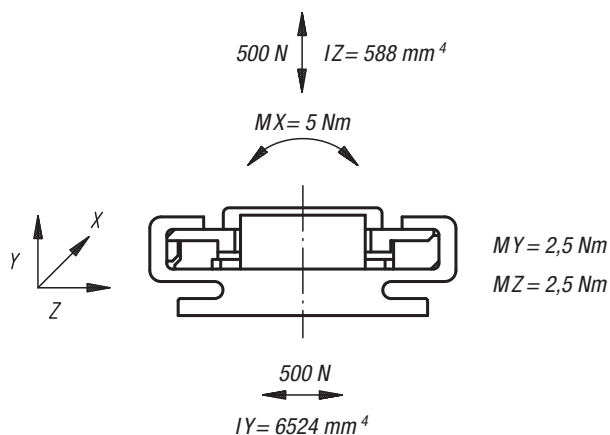
n1m 21230-2730X3000 (L max.)
 n1m 21230-2730X1000 (customer specific guide rail)
 ** length L2 = 30 mm and
 * L = 1000 mm included
 L2 and L only available in full mm.

Note:

Miniature slide guides are maintenance-free and corrosion resistant. Very high speeds and accelerations are possible due to the low weight. Applicable temperature max. 80 °C.
 Miniature slide guides are insensitive to dust and are ideal for dry running.



static load capacity and geometrical moment of inertia



Carriage

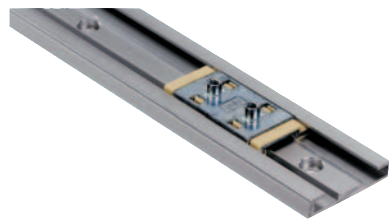
Order No. fixed bearing	Order No. floating bearing	Version
21230-2700	21230-2701	carriages drilled through
21230-2710	21230-2711	carriages with tapped hole

Guide rails

Order No.	Version 2	L max.	L2
21230-2730X3000	with through hole	3000	30

Order No.	Version 2	L2 min.	L2 max.
21230-27**X*	with through hole	**	49

Miniature slide guides DryLin® N



Material:

Carriage body zink.
 Plastic bearing material iglidur® J.
 Rail anodised aluminium.

Version:

Body chromed.
 Guide rail natural colour anodised.

Sample order:

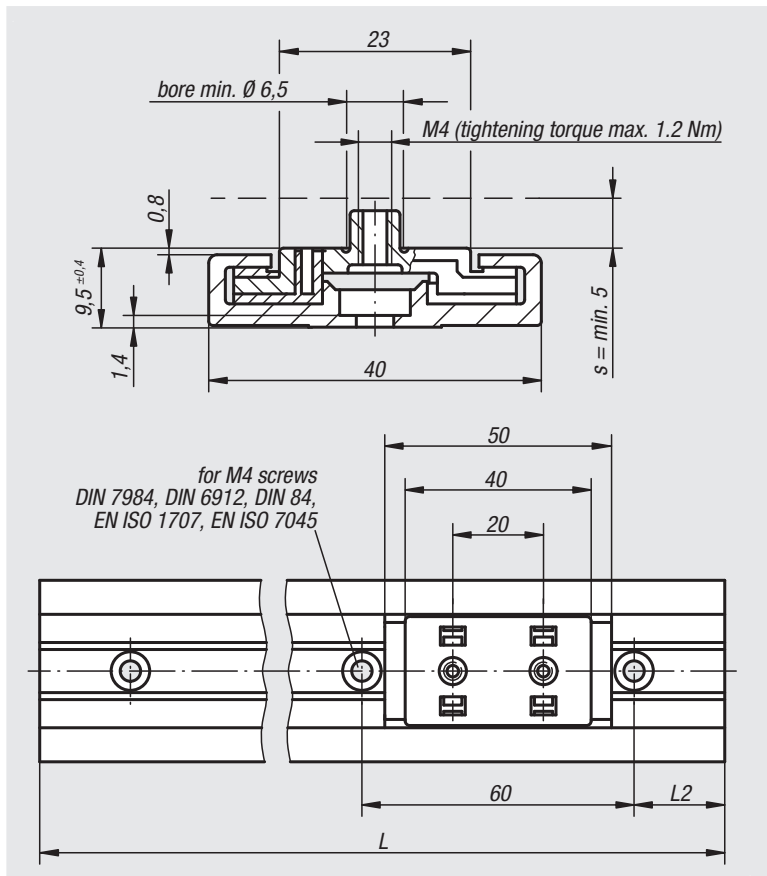
nIm 21230-4000 (guide carriage, fixed bearing)

Ordering example guide rail:

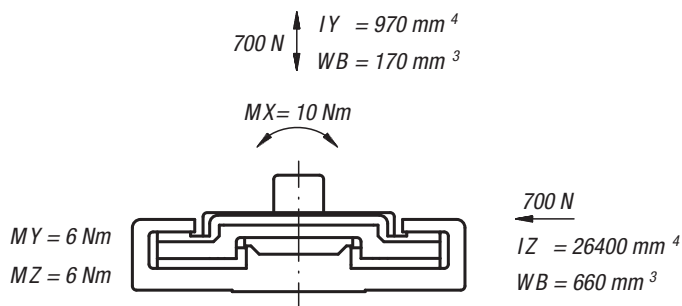
nIm 21230-4030X3000 (L max.)
 nIm 21230-4030X1000 (customer specific guide rail)
 ** length L2 = 30 mm and
 * L = 1000 mm included
 L2 and L only available in full mm.

Note:

Miniature slide guides are maintenance-free and corrosion resistant. Very high speeds and accelerations are possible due to the low weight. Applicable temperature max. 80 °C. Miniature slide guides are insensitive to dust and are ideal for dry running.



static load capacity and geometrical moment of inertia



Carriage

Order No.	Version 2
21230-4000	-
21230-4010	floating bearing

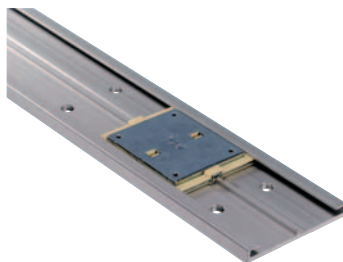
Guide rails

Order No.	Version	L max.	L2
21230-4030X3000	L max.	3000	30

Order No.	Version	L2	L2 min.	L2 max.
21230-40**X*	L2 and L customer specific	**	20	49

20000
21000
22000
23000
24000
26000
27000
28000
29000
31000
32000
33000

Flat guides DryLin® N



Material:

Carriage body zink.
 Plastic bearing material iglidur® J.
 Rail anodised aluminium.

Version:

Body chromed.
 Guide rail natural colour anodised.

Sample order:

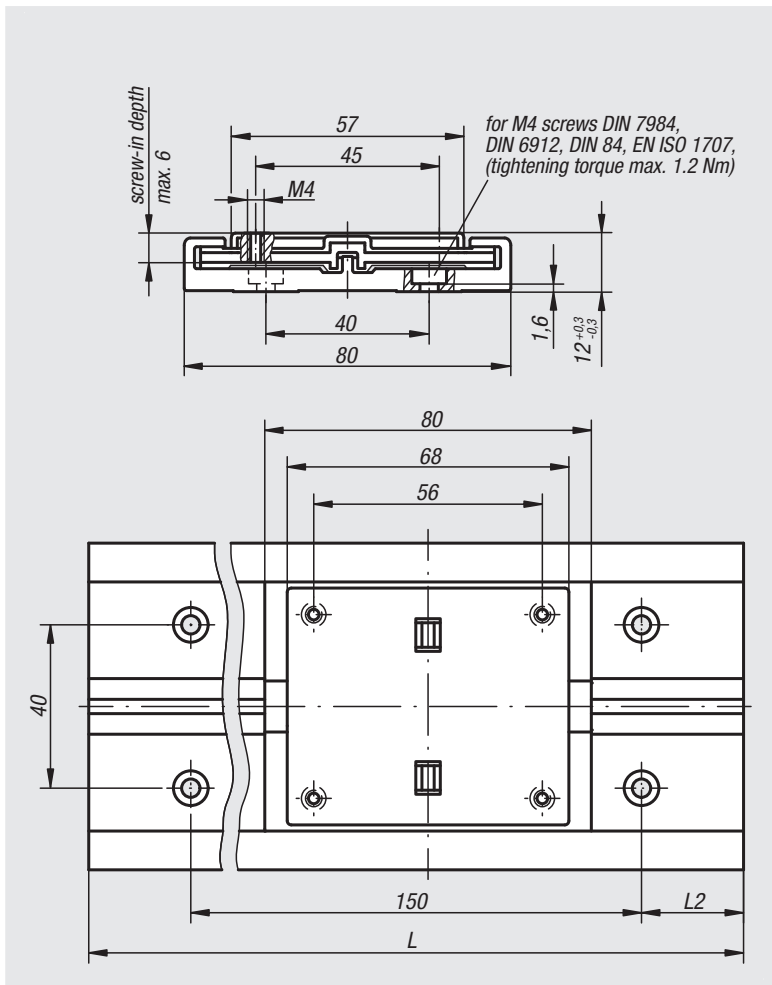
n1m 21230-8000 (guide carriage, fixed bearing)

Ordering example guide rail:

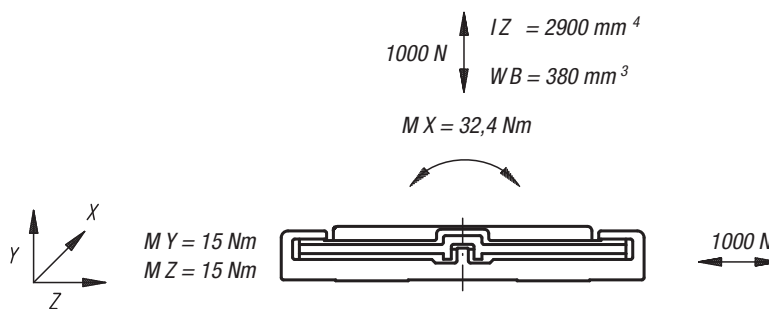
n1m 21230-8030X3960 (L max.)
 n1m 21230-8030X1000 (customer specific guide rail)
 ** length L2 = 30 mm and
 * L = 1000 mm included
 L2 and L only available in full mm.

Note:

Flat slide guides are maintenance-free and corrosion resistant. Very high speeds and accelerations are possible due to the low weight. Applicable temperature max. 80 °C. Miniature slide guides are insensitive to dust and are ideal for dry running.



static load capacity and geometrical moment of inertia



Carriage

Order No.	Version 2
21230-8000	fixed bearing
21230-8010	floating bearing

Guide rails

Order No.	Version	L max.	L2
21230-8030X3960	L max.	3960	30

Order No.	Version	L2 min.	L2 max.
21230-80**X*	L2 and L customer specific	**	100