

## Carriages DryLin® T



### Material:

Sliding carriage: Base structure in extruded section, aluminium EN AW-6060.

Sliding elements: Maintenance free plain bearing iglidur® J.

Cap: Thermoplastic

### Version:

Eloxal-coated E6/EV1. Black thermoplastic

### Sample order:

nIm 21200-1500

### Note:

With a low rate of inertia, high accelerations and short term extreme speeds up to 30 m/s are possible. DryLin® T linear glide guides are resistant to dirt and corrosion and are adjustable, maintenance-free and quiet.

Application temperature max. 80 °C.

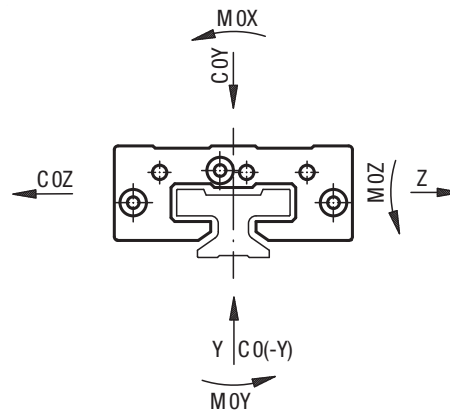
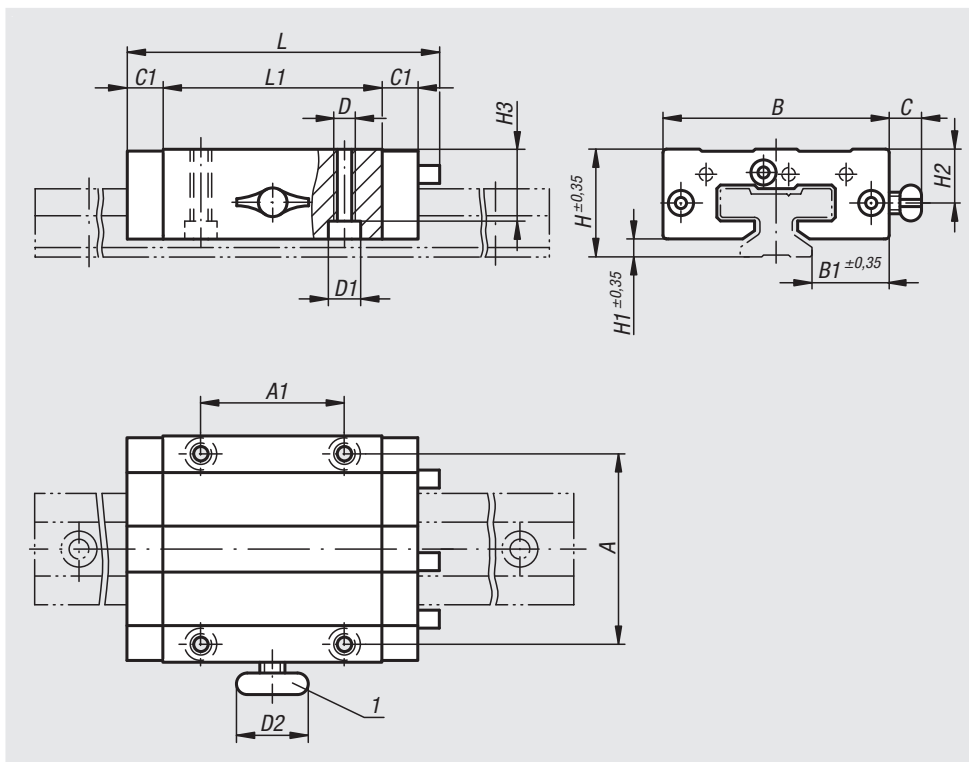
As no lubricants are used they are recommended for use in food, medical, and clean room technologies.

Manual clamping was developed for simple functions. Polymer under constant pressure has a tendency to creep which causes a decrease in clamping force over time (up to 70%), which means that no safety-relevant parts should be clamped.

Suitable guide rails see 21200.

### Drawing reference:

1) manual clamping



Order No. standard fixed bearing	Order No. fixed bearing with manual clamping	Order No. floating bearing y axis	Order No. floating bearing z axis	Size	COY kN	CO(-Y) kN	COZ kN	MOX Nm	MOY Nm	MOZ Nm	A	A1	B	B1
21200-1500	21200-1510	21200-1520	21200-1530	15	4	4	2	32	25	25	38	30	47	16
21200-2000	21200-2010	21200-2020	21200-2030	20	7,4	7,4	3,7	85	45	45	53	40	63	21,5
21200-2500	21200-2510	21200-2520	21200-2530	25	10	10	5	125	65	65	57	45	70	23,5
21200-3000	21200-3010	21200-3020	21200-3030	30	14	14	7	200	100	100	72	52	90	31

Order No. standard fixed bearing	Order No. fixed bearing with manual clamping	Order No. floating bearing y axis	Order No. floating bearing z axis	C	C1	D	D1 for screw to DIN 912	D2	H	H1	H2	H3	L	L1	Manual clamp thread
21200-1500	21200-1510	21200-1520	21200-1530	-/19/-/	9	M5	M4	-/20/-/	24	4	-/11,5/-/	16	74	50	-/M6/-/
21200-2000	21200-2010	21200-2020	21200-2030	-/18/-/	10	M6	M5	-/28/-/	30	5	-/15/-/	19,8	87	61	-/M8/-/
21200-2500	21200-2510	21200-2520	21200-2530	-/17/-/	11	M8	M6	-/28/-/	36	5	-/19/-/	24,8	96	68	-/M8/-/
21200-3000	21200-3010	21200-3020	21200-3030	-/20/-/	12	M10	M8	-/28/-/	42	6,5	-/21,5/-/	27	109	79	-/M8/-/

# Guide rails DryLin® T


**Material:**

Extruded section, aluminium EN AW-6060.

**Version:**

Hard anodised aluminium, 50 µm. Hardness 500 HV.

**Sample order:**

nIm 21200-1530X3960 (L max.)

**Ordering example guide rail:**

nIm 21200-1520X500 (customer specific guide rail size 15)

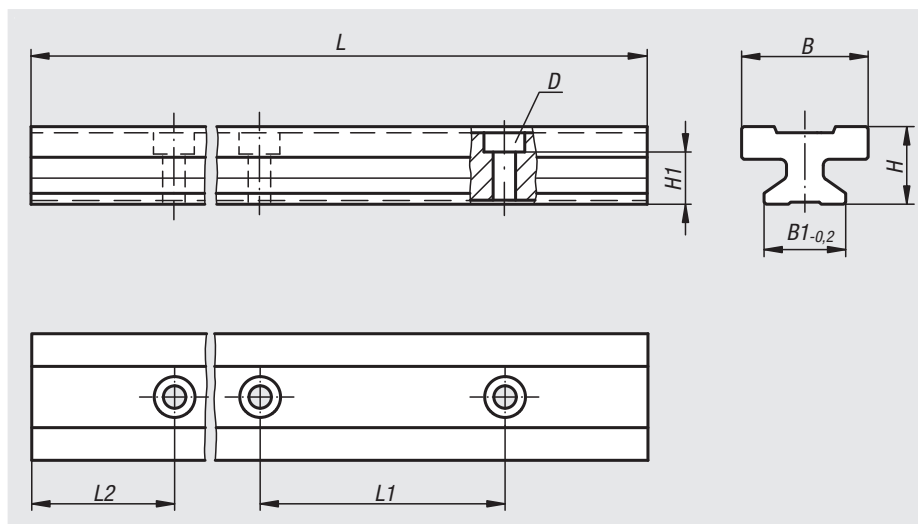
\*\* lengths L2 = 20 mm

\* and L = 500 mm included

L2 and L only available in full mm.

**Note:**

The aluminium guide rail has good thermal conductivity and importantly heats only at continuously very high speeds.



Order No.	Version	Size	L max.	L2	B	B1	D for screw DIN 912	H	H1	L1
21200-1530X3960	L max.	15	3960	30	22	15	M4	15,5	10	60
21200-2030X3960	L max.	20	3960	30	31	20	M5	19	12,3	60
21200-2530X3960	L max.	25	3960	30	34	23	M6	21,5	13,8	60
21200-3020X3960	L max.	30	3960	20	40	28	M8	26	15,8	80

Order No.	Version	Size	L max.	L	L2	L2 min.	L2 max.	B	B1	D for screw DIN 912	H	H1	L1
21200-15**X*	L2 and L customer specific	15	3960	*	**	20	49	22	15	M4	15,5	10	60
21200-20**X*	L2 and L customer specific	20	3960	*	**	20	49	31	20	M5	19	12,3	60
21200-25**X*	L2 and L customer specific	25	3960	*	**	20	49	34	23	M6	21,5	13,8	60
21200-30**X*	L2 and L customer specific	30	3960	*	**	20	49	40	28	M8	26	15,8	80