

Angle plates

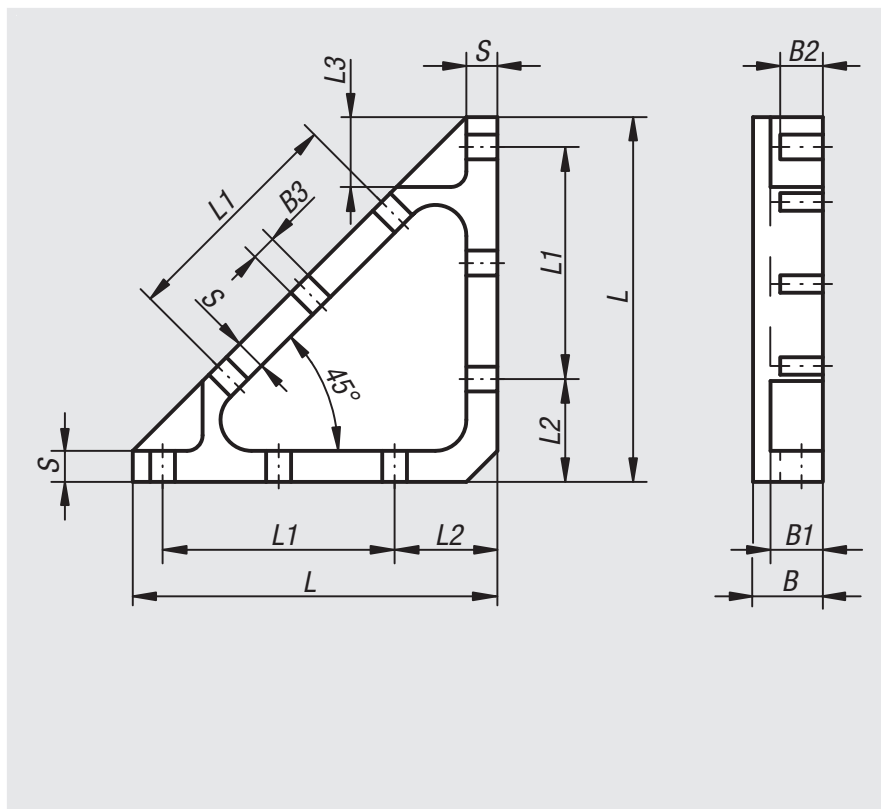


Material:
Aluminium alloy.

Version:
Milled and anodised

Sample order:
nlm 21190-04

Note:
Suitable for 21100, 21102, 21120, 21122, 21150, 21160, 21162 and 21180 in the respective size.



Order No.	B	B1	B2	B3	L	L1	L2	L3	S
21190-04	8	6	4,5	3,3	40	22	14,5	8	3
21190-08	12	10	8	4,5	58	36	17	11	4
21190-12	18	13,5	10,8	6,6	94	60	26,5	17,5	8
21190-25	25	20	15,5	11	180	130	35	31	15