

Pivot heads

swivel angle 30°



Material:
Aluminium alloy.

Version:
anodised.

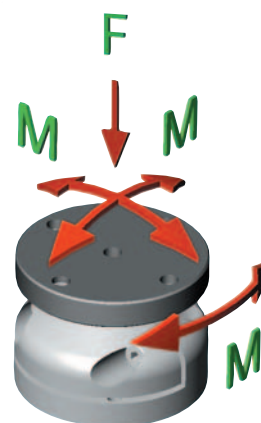
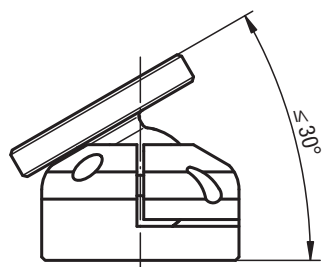
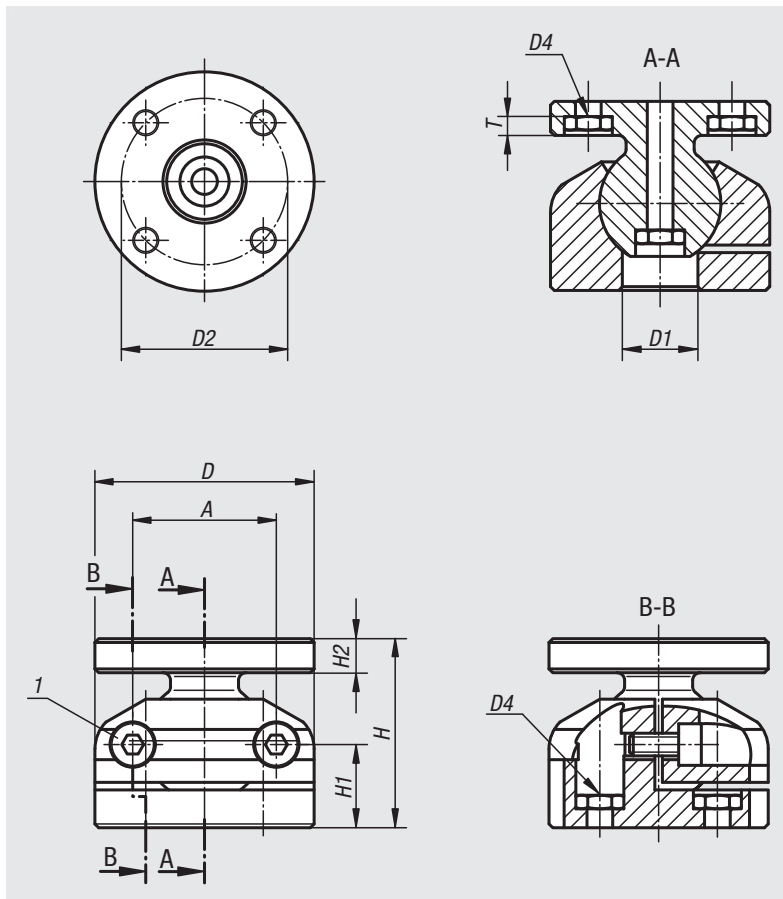
Sample order:
nlm 21170-12

Note:
Suitable for 21100, 21102, 21120, 21122, 21150, 21160, 21162 and 21180.

Drawing reference:
all (9x) counterbores to DIN 974-1 (D4),
all (9x) nuts DIN 934 M (D4)

By pressing out the nuts countersinks for socket screws become available allowing both fastening variations to be used.

1) D3 clamping screw (2x)



Order No.	A	D	D1	D2	D3	D4	H	H1	H2	T	F N	M Nm	Tightening torque of clamping screws (Nm)
21170-04	19	29	10	22	M3	3	25	11	5,5	3,5	300	3	1,11
21170-08	30	46	13	36	M4	4	35	15,5	7	4,5	700	8	2,55
21170-12	46	75	24	60	M6	6	54	23	11	6,6	2200	30	8,6
21170-25	92	150	40	130	M10	10	105	49	20	11	9000	150	42