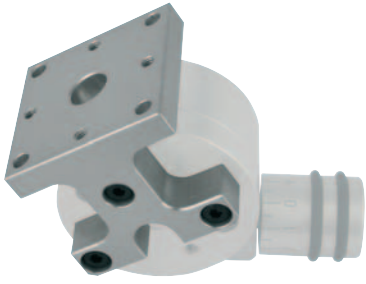


# Swivel angles



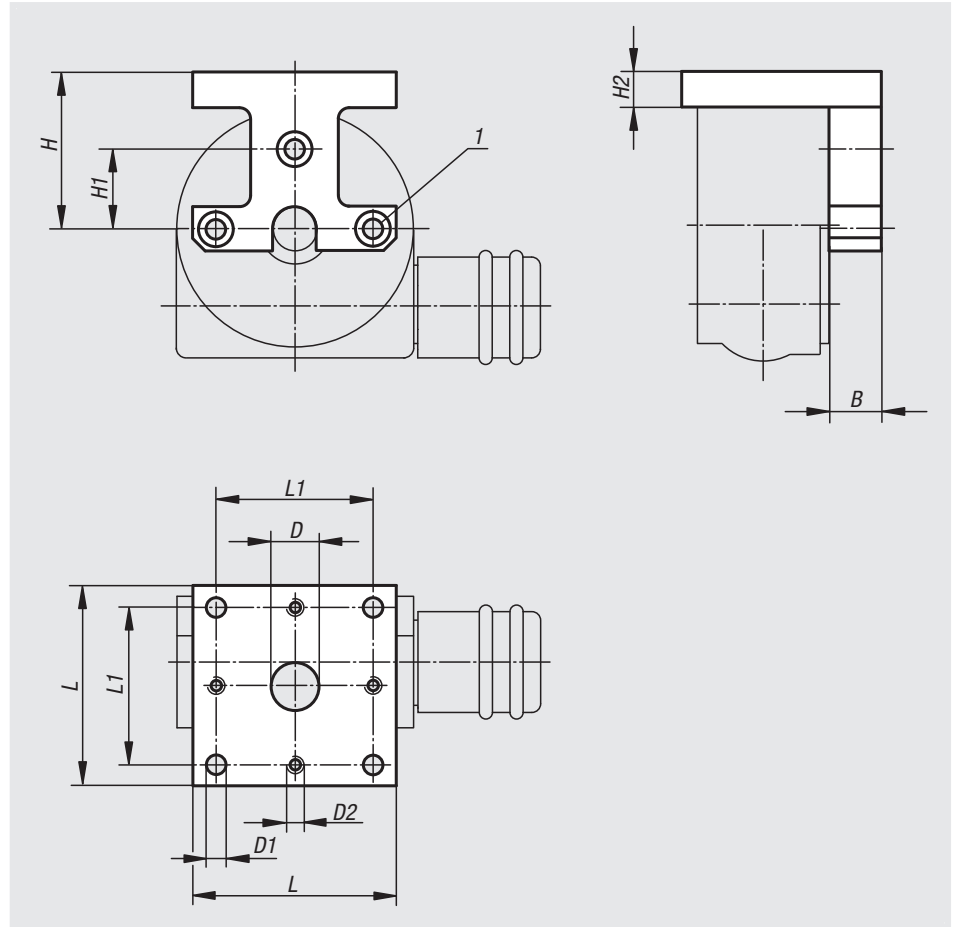
**Material:**  
Aluminium alloy.

**Version:**  
Milled and anodised

**Sample order:**  
nlm 21162-04

**Note:**  
The swivel angle is mounted on a rotary positioning table and offers further mounting possibilities. Suitable for 21160 in matching sizes.

**Drawing reference:**  
1) D3 for socket head screw ISO 4762



Order No.	B	D	D1	D2	D3	H	H1	H2	L	L1
21162-04	7	6	3,3	M3	M3	22	11	6	29	22
21162-08	12	11	4,5	M4	M4	36	18	8	46	36
21162-12	20	16	6,5	M6	M6	51	30	10	75	60
21162-25	25	40	11	M10	M10	98	65	20	150	130