

Rotary stages

with electronic position indicator



Material:

Body and rotary table Al alloy, anodised.
Spindle steel, case-hardened.
Spindle bearing maintenance-free.
Position indicator plastic.

Version:

Radial play of rotation axis < 0.015 mm.
Axial play of rotation axis < 0.02 mm.
Repeat accuracy < 0.05°.
Spindle self-locking.

Sample order:

nIm 21161-10-08

Note:

360° adjustment with no end stop.
The position indicator displays in 0.1° increments clockwise. The angle of rotation is indicated directly on the large LCD display.
The rotary stage rotates anti-clockwise. Reset, chain dimension and offset settings can be made via the keypad.
2 years battery life. The battery is quick and easy to replace.
The mounting position of the position indicator is set in 4 positions using one screw.

Transmission ratio:

21161-10-08 = 50:1

21161-10-12 = 55:1

21161-10-25 = 50:1

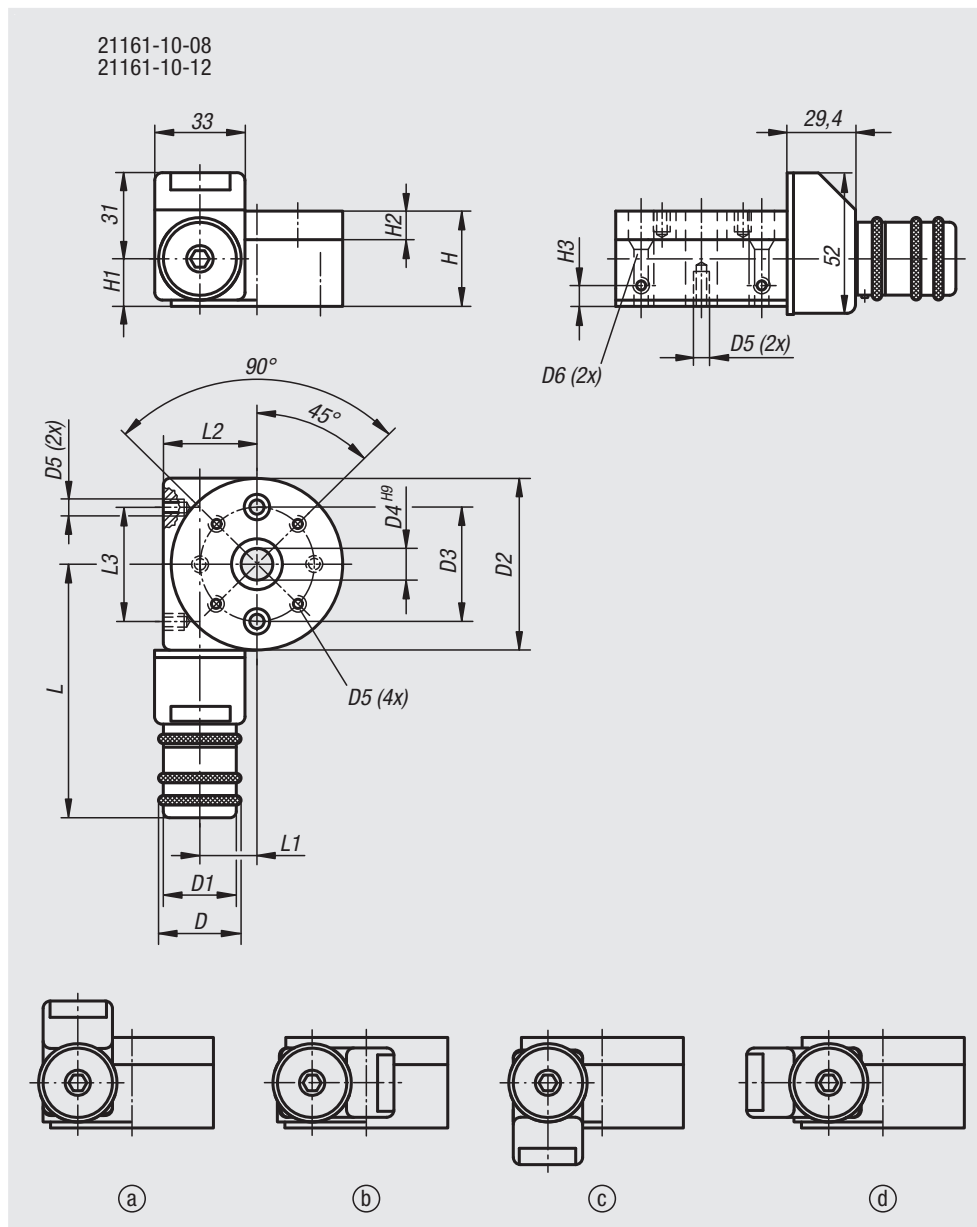
The modular design enables the rotary stage to be easily combined with other items of the same size.

Drawing reference:

Assembly position of position indicator:

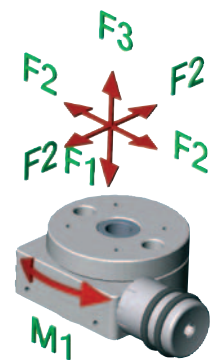
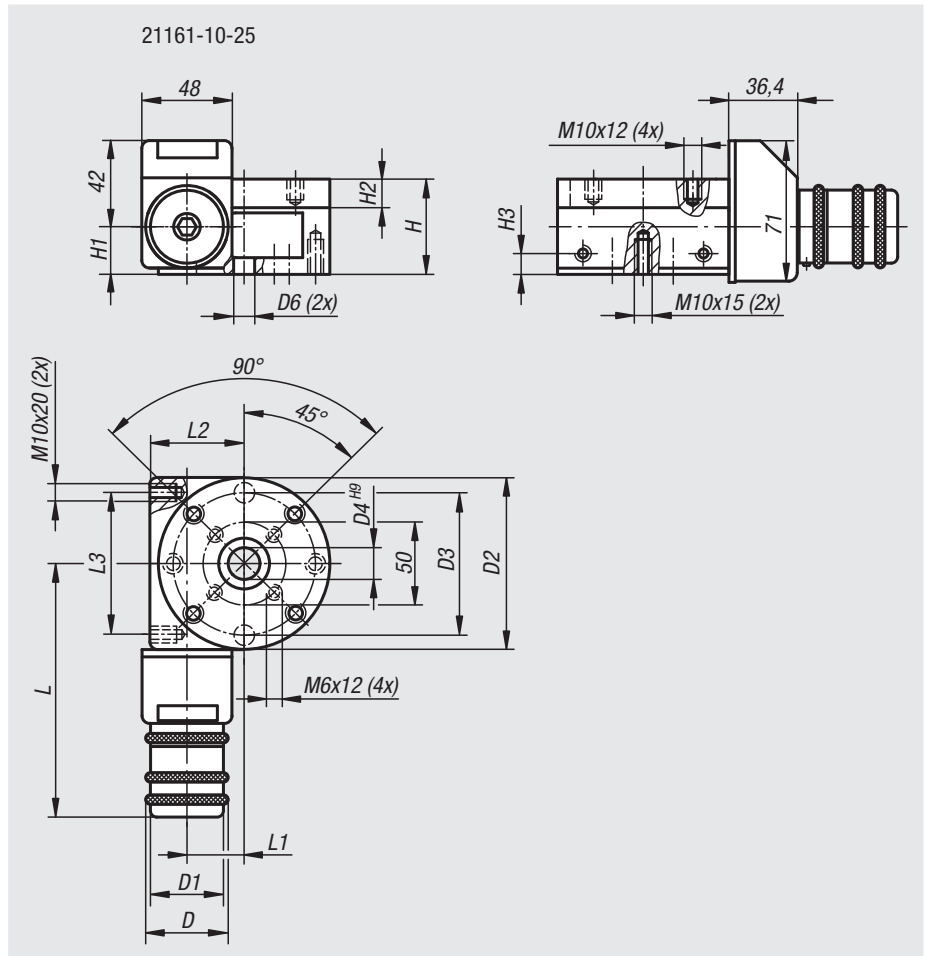
- a) top (standard)
- b) right
- c) bottom
- d) left

All counterbores to DIN 74-Bm (D6)



Rotary stages

with electronic position indicator



Order No.	D	D1	D2	D3	D4	D5	D6	H	H1	H2	H3	L	L1	L2	L3	F1 N	F2 N	F3 N	M1 Nm
21161-10-08	26	23	54	36	10	M4x6	4	30	14	9	6	86	17	29	36	500	500	200	3
21161-10-12	26	23	80	60	15	M6x9	6	40	17,5	12	6	99	31	60	60	500	500	200	5
21161-10-25	51	46	150	130	40	-	10,4	75	35	18	12	161	53	80	130	1000	1000	500	10

20000 21000 22000 23000 24000 26000 27000 28000 29000 31000 32000 33000