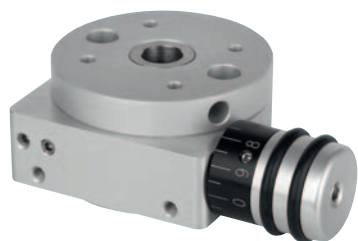


Rotary positioning stages



Material:

Body and rotary table Al alloy, anodised.
Spindle steel, case-hardened.
Spindle bearing maintenance-free.

Version:

Radial play of rotation axis < 0.015 mm.
Axial play of rotation axis < 0.02 mm.
Repeat accuracy < 0.05°.
Spindle self-locking.

Sample order:

nlm 21160-08

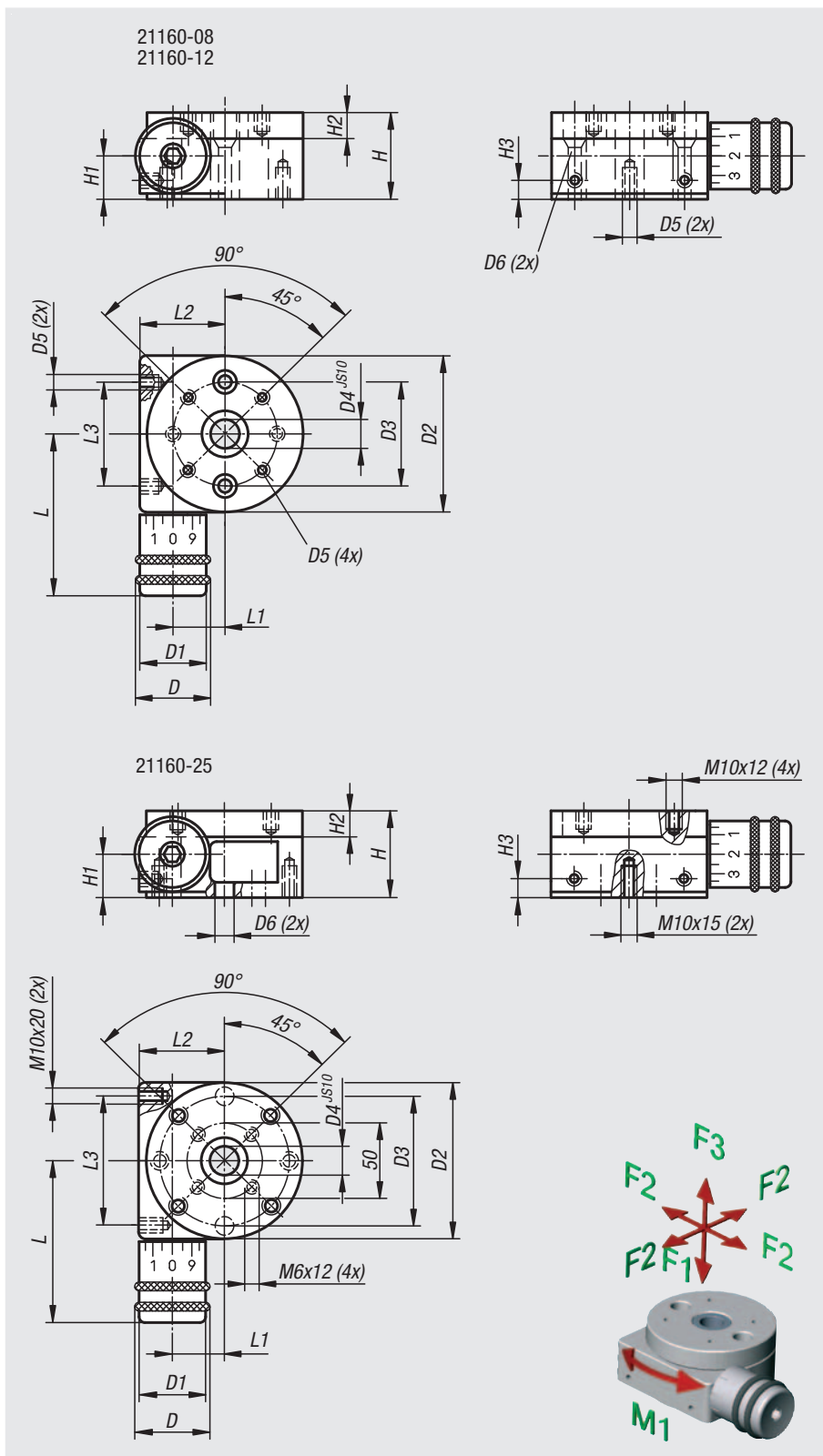
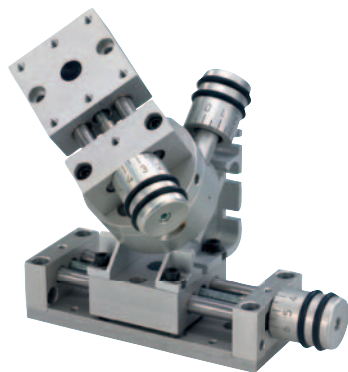
Note:

360° adjustment, no end stop.
Scale graduation is 10 increments.
Transmission ratio:
21160-08 = 50:1
21160-12 = 55:1
21160-25 = 50:1

The rotary stage can be easily combined with other modules of the same size.

Drawing reference:

All counterbores to DIN 74-Bm (D6)



Order No.	D	D1	D2	D3	D4	D5	D6	H	H1	H2	H3	L	L1	L2	L3	F1 N	F2 N	F3 N	M1 Nm
21160-08	26	23	54	36	10	M4x6	4	30	14	9	6	56	17	29	36	500	500	200	3
21160-12	26	23	80	60	15	M6x9	6	40	17,5	12	6	69	31	43	60	500	500	200	5
21160-25	51	46	150	130	40	-	10,2	75	35	18	12	134	53	80	130	1000	1000	500	10

20000 21000 22000 23000 24000 26000 27000 28000 29000 31000 32000 33000