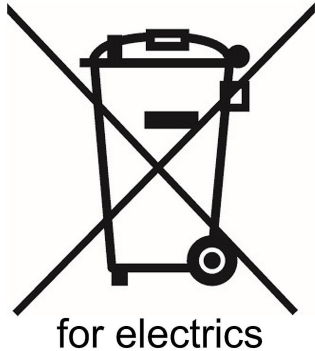


Item description/product images



Description

Material:

Bearing blocks, sledge and lifting plate made of aluminium.
 Guide column and spindle made of stainless steel.
 Plain bearing bushes and slide rail made of brass.
 Position indicator made of plastic.

Version:

Anodised aluminium.

Note:

For height-adjustment for all types of components and assemblies (e.g. stops, sensors, limit switches, tables, cameras, entire assemblies). The adjustment travel is directly indicated by the position indicator in increments of 0.1 mm. The display value can be set to zero or any other value at any slide position by turning the red adjusting ring opposite the spindle.

The modular design allows the vertical stage to be easily combined with positioning stages, cross tables and other accessories of the same size.

Technical data:

Reverse play < 0.05 mm.

Lateral play of the guidance: <0.02 mm.

Pre-tensioned self-locking spindle nut and spindle bearing.

Display accuracy 0.1 mm.

Temperature range:

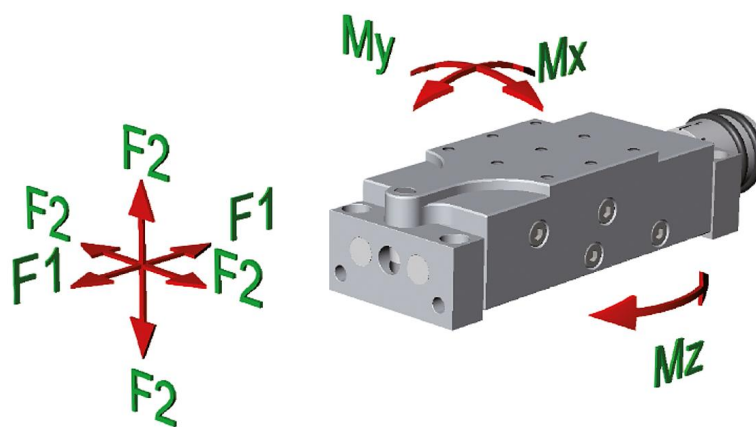
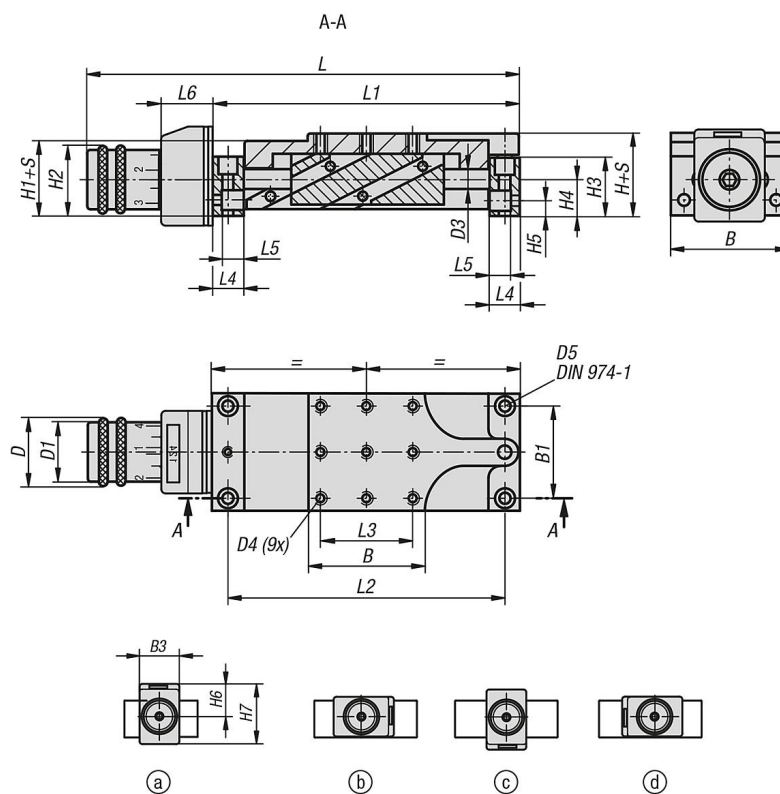
0 °C - +70 °C.

Drawing reference:

Mounting position of the position indicator:

- a) top (standard)
- b) right
- c) bottom not possible for 21141-25
- d) left

Drawings



Overview of items

Order No.	L	B	H	D	Travel S	L1	L2	L3	L4	L5	L6	B1	B3	H1	H2	H3	H4	H5	H6	H7	D1	D3	D4	D5	F1 N	F2 N	Mx Nm	My Nm	Mz Nm
21141-08	174,5	46	32	26	8	120	108	36	12	8,5	23	36	22	29	27	23	14	6	23,7	33	23	8	4	M4	80	100	2,5	2,5	5
21141-12	234,5	75	38	26	12	180	165	60	15	11	23	60	22	36	28,5	27	15,5	7	23,7	33	23	12	6	M4	150	200	10	10	20
21141-25	381	150	68	52	25	290	265	130	25	18	33,5	130	48	64	54	52	28	13	42	67,5	46	25	10	M4	500	700	50	50	100