

Vertical stages



Material:

Vertical stage, bearing blocks and scale knob
Al alloy, anodised.
Guiding columns stainless steel, ground.
Spindle stainless steel, rolled thread.
Guide bearing, maintenance-free

Version:

Guide backlash < 0.05 mm.
Spindle self-locking, with additional lock.

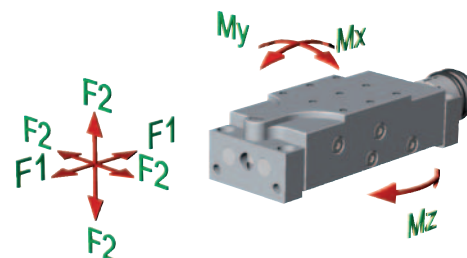
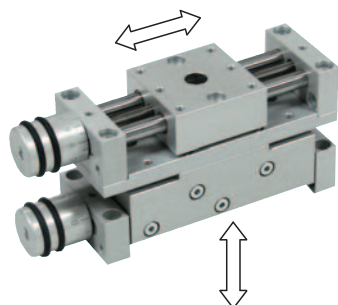
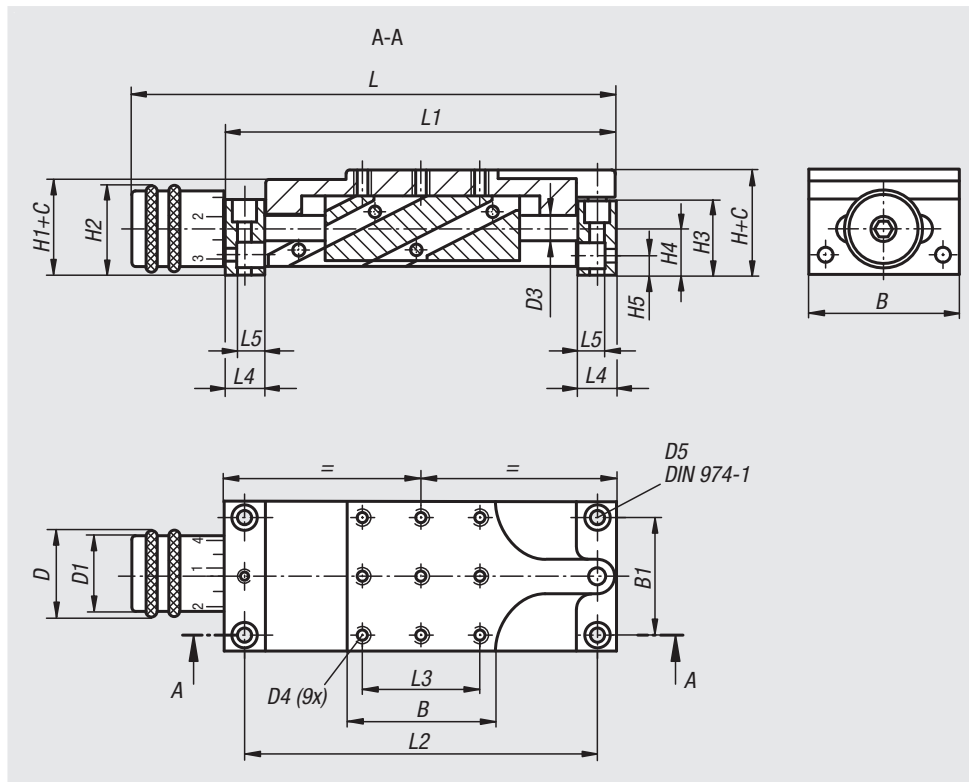
Sample order:

n1m 21140-04

Note:

For positioning the height of all types of components and assemblies e.g. stops, sensors, limit switches, tables, cameras, entire assemblies etc. The height of the stage is adjusted manually by turning the scale knob. 1 increment of the scale equals 0.1 mm travel.

Within the respective sizes, the vertical stages can be easily combined using the modular principle.



Order No.	B	B1	C (travel)	D	D1	D3	D4	D5	H	H1	H2	H3	H4	H5	L	L1	L2	L3	L4	L5	F1 N	F2 N	Mx Nm	My Nm	Mz Nm
21140-04	29	22	4	13	12	4	M3	3	19	17	14	13	8	4	84,5	70	62	22	8	6	30	50	0,5	0,5	2
21140-08	46	36	8	26	23	8	M4	4	32	29	27	23	14	6	148,5	120	108	36	12	8,5	80	100	2,5	2,5	5
21140-12	75	60	12	26	23	12	M6	6	38	36	28,5	27	15,5	7	209	180	165	60	15	11	150	200	10	10	20
21140-25	150	130	25	52	46	25	M10	10	68	64	54	52	28	13	347	290	265	130	25	18	500	700	50	50	100