

Vertical bracket

short

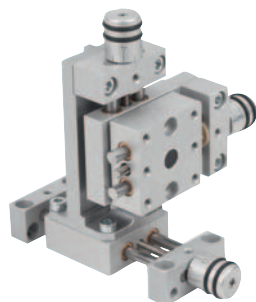
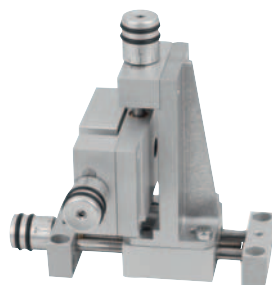
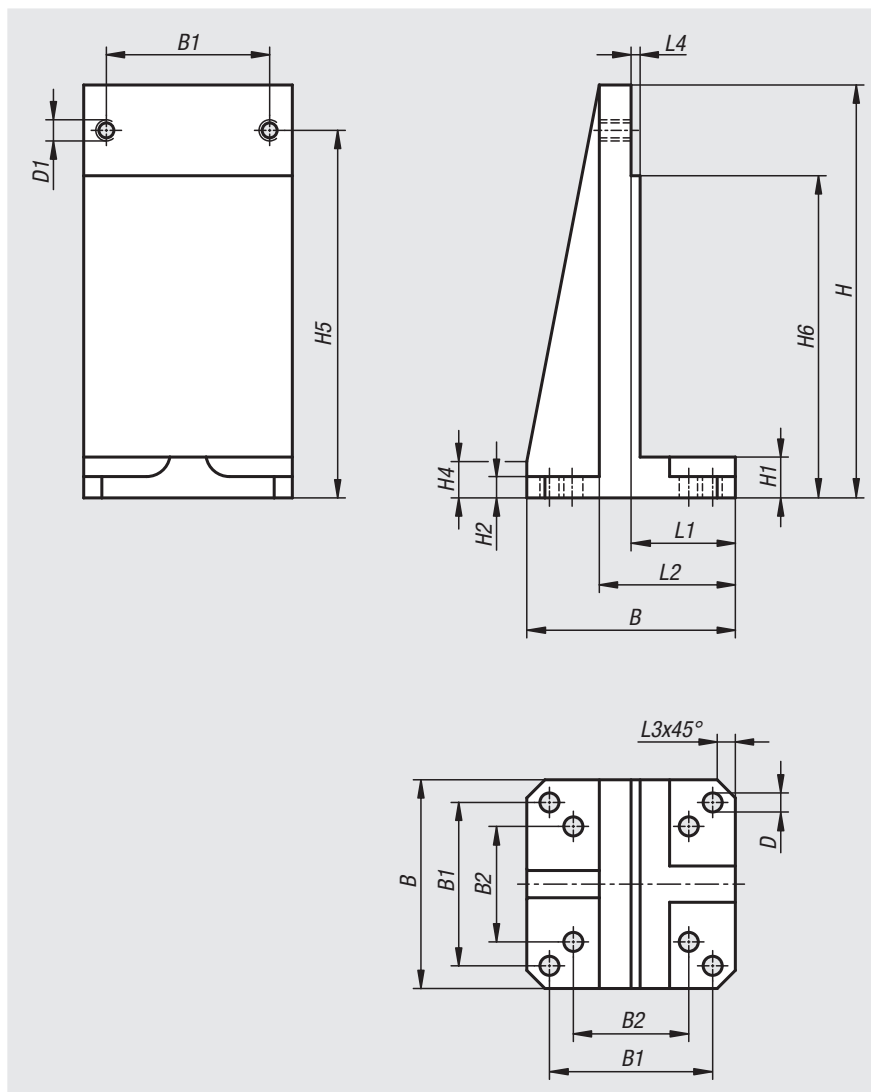


Material:
Aluminium alloy.

Version:
anodised.

Sample order:
nlm 21138-04

Note:
The vertical bracket is mounted vertically to the mounting surface.
Can be combined with positioning stages, cross stages, vertical stages and all other components of the same size.



Order No.	Size	B	B1	B2	D	D1	H	H1	H2	H4	H5	H6	L1	L2	L3	L4
21138-04	4	29	22	15,56	3,2	M3	58	6	2,8	6	53	48	13	18	3	1
21138-08	8	46	36	25,46	4,2	M4	91	9	4,7	8	81	71	23	30	4	2
21138-12	12	75	60	42,43	6,4	M6	146	12	5,7	8	131	116	27	36	7	2