

Sensor holder

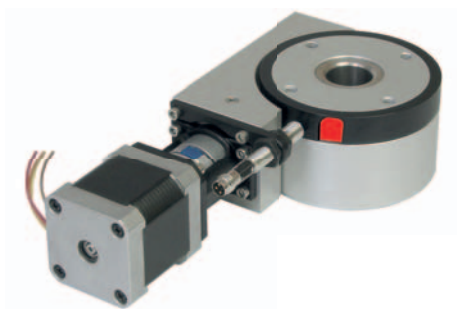
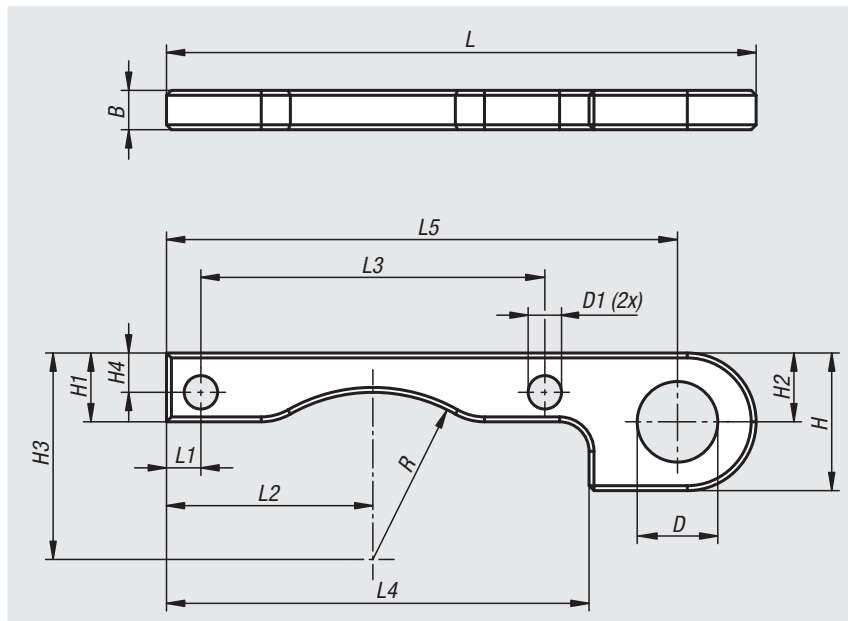


Material:
Aluminium alloy.

Version:
Black anodised

Sample order:
nlm 21094-12

Note:
The sensor holder is used to fasten inductive proximity switches (e.g. 83000-10-050) to the rotary positioning stages with electric drive allowing the switch point to be positioned anywhere. The ring with the switch slot can be freely rotated counter to the rotary disc.



Order No.	Size	B	D	D1	H	H1	H2	H3	H4	L	L1	L2	L3	L4	L5	R
21094-12	12	4	8,2	3,2	14	7	7	21	4	60	3,5	21	35	43	52	17

20000 21000 22000 23000 24000 26000 27000 28000 29000 31000 32000 33000