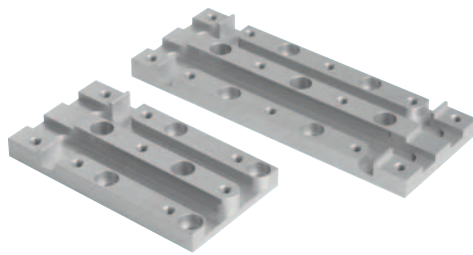


## Mounting plates horizontal



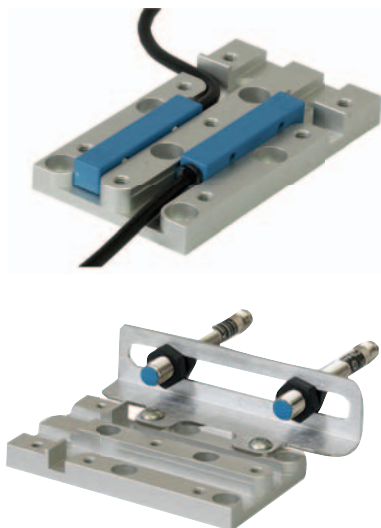
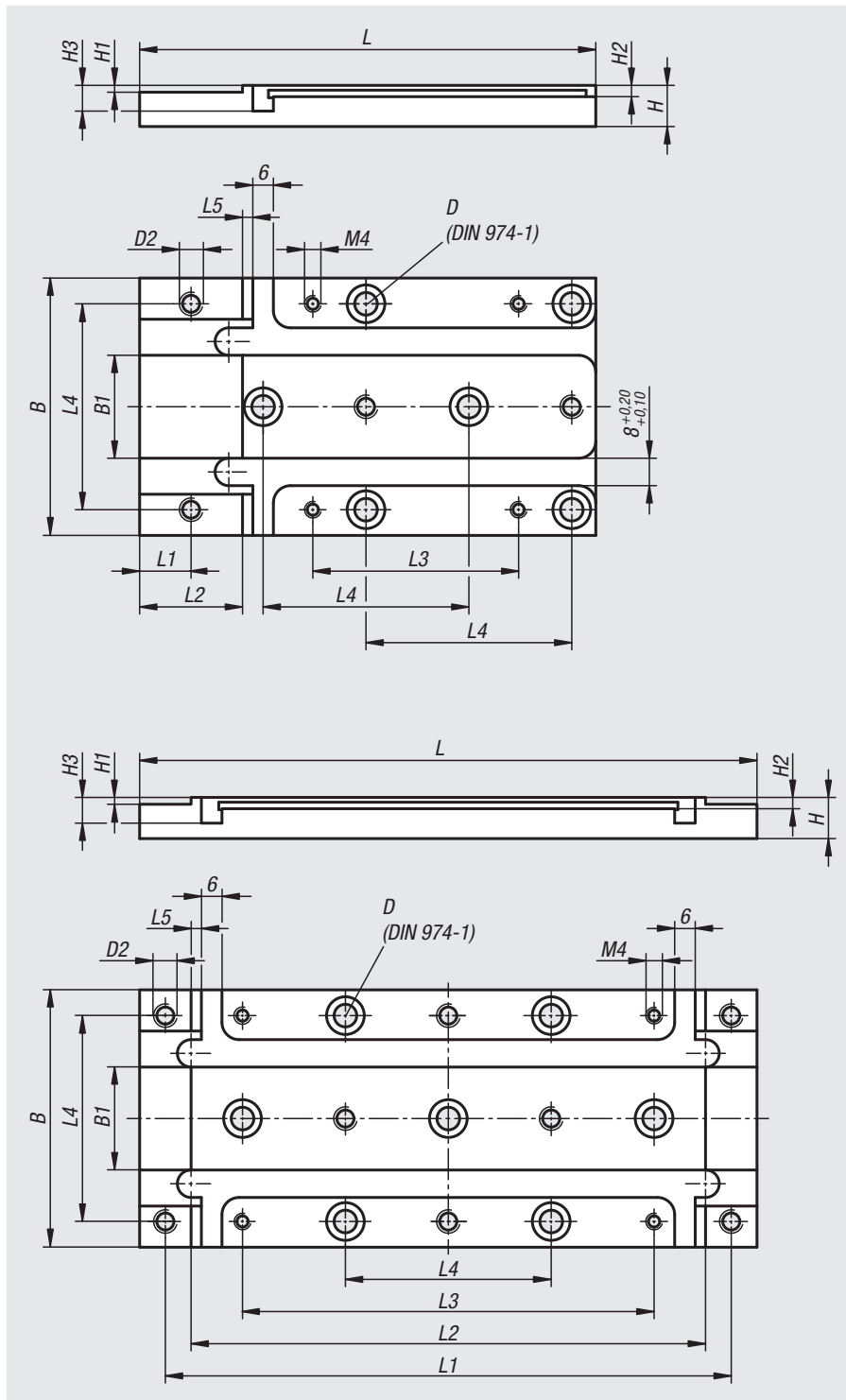
**Material:**  
Aluminium alloy.

**Version:**  
anodised.

**Sample order:**  
nlm 21090-081

**Note:**  
The mounting plate is used for the horizontal mounting of the short or long positioning stages with electric drive. With slots for direct support of inductive proximity switch (20905-005). The proximity switch can be adjusted when the positioning unit is mounted. The threaded holes M4 are used to fasten the sensor holder 21093.

Can be combined with all other parts of the same size.



Order No.	Size	Version	B	B1	D	D2	H	H1	H2	H3	L	L1	L2	L3	L4	L5
21090-081	8	short	46	10	4	M4	10	2	2,3	6,5	82,5	9	15	40	36	1,5
21090-121	12	short	75	30	6	M6	12	2	3,3	7,5	133	15	30	60	60	3
21090-082	8	long	46	10	4	M4	10	2	2,3	6,5	120	108	96	72	36	1,5
21090-122	12	long	75	30	6	M6	12	2	3,3	7,5	180	165	150	120	60	3