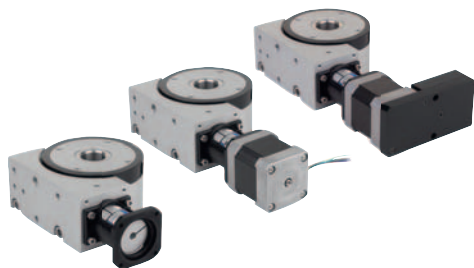


Positioning stages rotary

with coaxial electric drive



Material:

Base and rotary table aluminium alloy.
Hollow shaft stainless steel.
Pre-loaded worm gear steel.
Claw coupling aluminium with polyurethane coupling spider.

Version:

Aluminium alloy anodised.

Sample order:

n1m 21085-120

Note for ordering:

The unit is supplied with the position of cable outlet or control unit as shown in the drawing.

Note:

Rotary positioning stages for motorised adjustment and positioning tasks. The pre-loaded worm gear runs virtually play-free. The bearing of the worm shaft offers maximum radial rotational accuracy. Cables can be routed through the large bore in the hollow shaft. The adjustable positioning ring is used to determine the rotational reference point to the position of the assembled part. Proximity switches can be mounted with the optionally available sensor holder (21094). The suitable programming software and interface cable for the stepper motor with positioning control are available as accessories (25000-15).

The stepper motor with a resolution of 200 increments per rotation allows a single direction calculated positioning accuracy of 0.005 mm. The absolute single direction positioning accuracy is 0.01 mm. The system can be operated with a duty cycle of 100%.

Can be combined with all other parts of the same size.

Technical data:

21085-08*:
Transmission ratio: 40:1
Backlash: <math><0.12^\circ</math>
Radial play: <math><0.02\text{ mm}</math>
Max. input speed: 600 rpm
Max. duty cycle: 100 %
Required input torque: 0.15 Nm
Rigidity: see diagram
Rotation: 360°, infinite
Application temperature: +10 °C to +50 °C

21085-12*:
Transmission ratio: 55:1
Backlash: <math><0.1^\circ</math>
Radial play: <math><0.02\text{ mm}</math>
Max. input speed: 600 rpm
Max. duty cycle: 100 %
Required input torque: 0.15 Nm
Rigidity: see diagram
Rotation: 360°, infinite
Application temperature: +10 °C to +50 °C

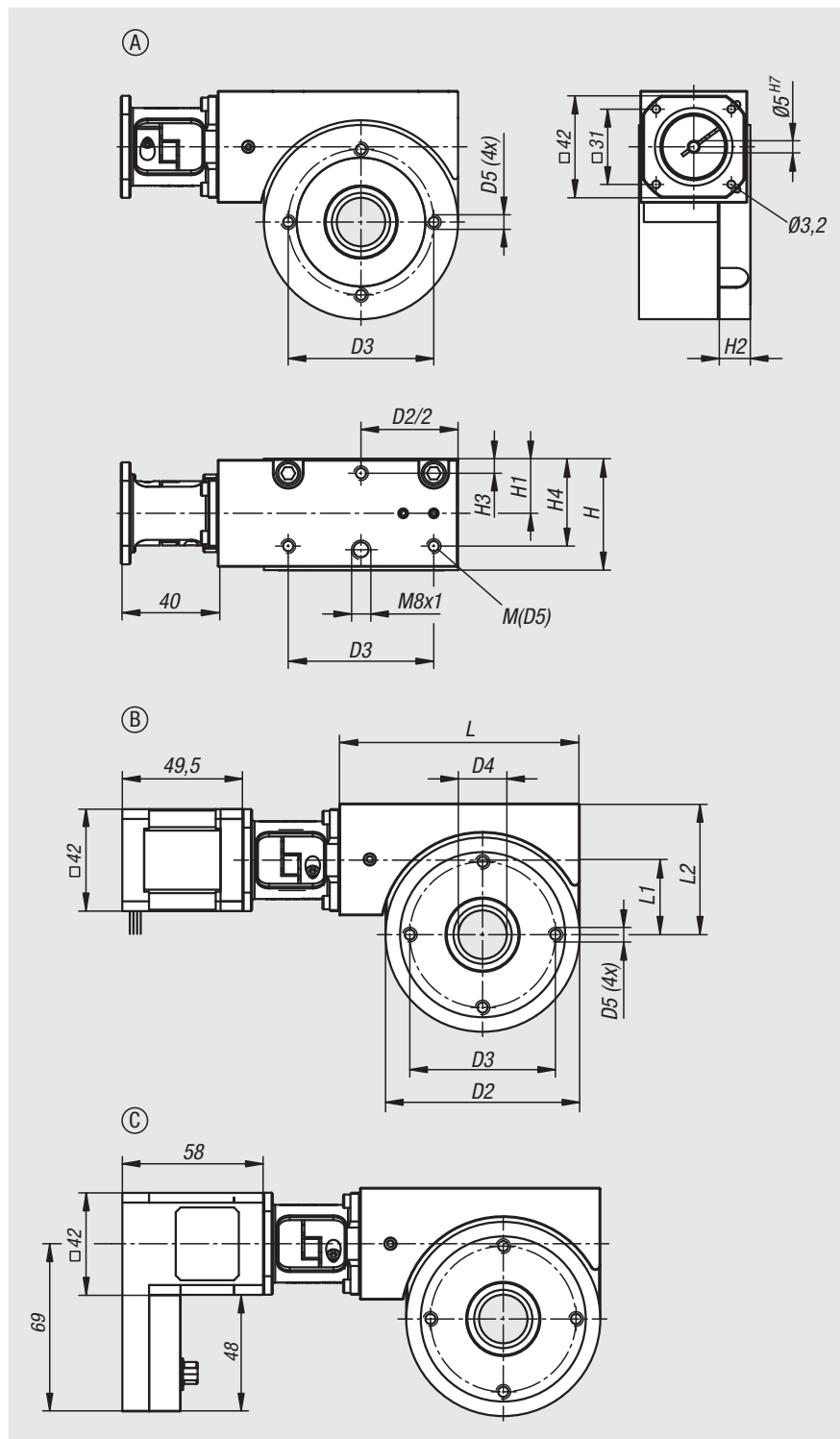
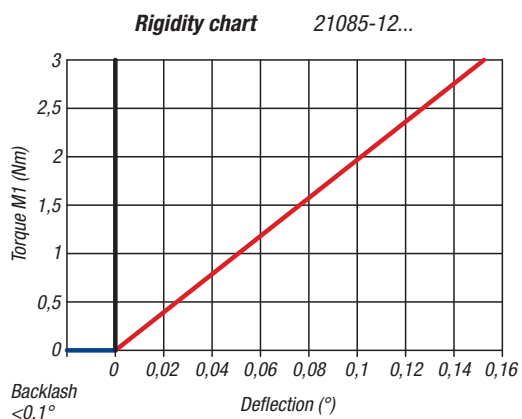
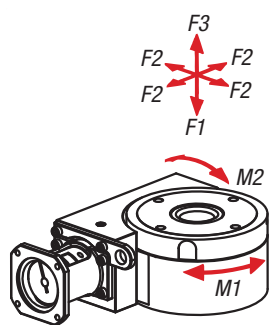
Order No. Size 8	Order No. Size 12	Form	Form-Type	Cable outlet alignment	Control alignment
21085-080	21085-120	D/A	without motor	-	-
21085-0811	21085-1211	E/B	with stepper motor	right	-
21085-0812	21085-1212	E/B	with stepper motor	beneath	-
21085-0813	21085-1213	E/B	with stepper motor	left	-
21085-0814	21085-1214	E/B	with stepper motor	above	-
21085-0821	21085-1221	F/C	stepper motor with control	-	right
21085-0822	21085-1222	F/C	stepper motor with control	-	beneath
21085-0823	21085-1223	F/C	stepper motor with control	-	left
21085-0824	21085-1224	F/C	stepper motor with control	-	above

Positioning stages rotary

with coaxial electric drive



20000
21000
22000
23000
24000
26000
27000
28000
29000
31000
32000
33000



Specifications

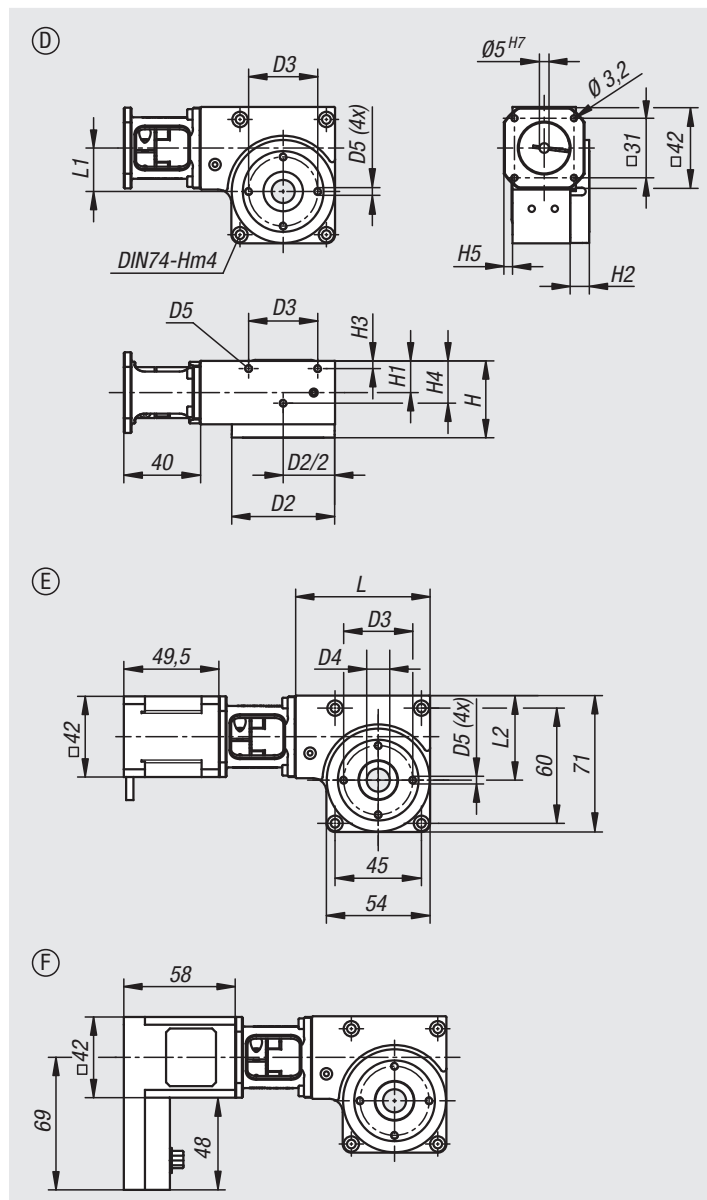
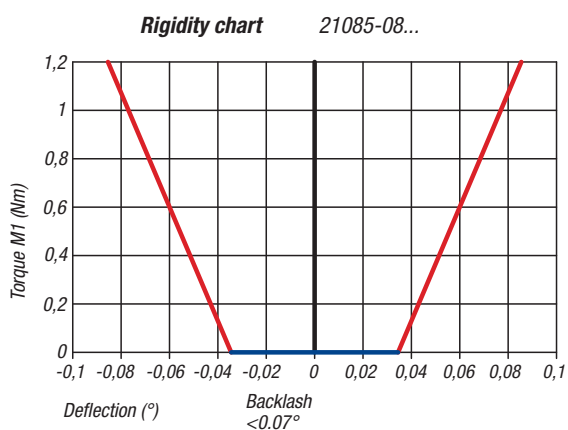
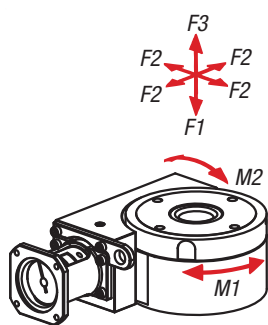
Size	D2	D3	D4	D5	H	H1	H2	H3	H4	L	L1	L2
12	80	60	20	M6	46	22,5	13	6	36	99	31	54

Force tables

Size	F1	F2	F3	M1	M2
	N	N	N	Nm	Nm
12	500	500	200	3	3

Positioning stages rotary

with coaxial electric drive



Specifications

Size	D2	D3	D4	D5	H	H1	H2	H3	H4	H5	L	L1	L2
8	53,6	36	12H7	M4	40	10	10	4	22	4,5	70	18	44

Force tables

Size	F1 N	F2 N	F3 N	M1 Nm	M2 Nm
8	200	200	80	1,2	1,8