

# Precision slides

roller mounted with end plates and location holes



**Material:**  
EN-GJL-250

**Version:**  
Bright, ground.

**Sample order:**  
nlm 21068-040065

**Note:**  
These precision slideways with roller bearings are used in machine and fixture construction, metrology, optical instruments and precision engineering.

The stated permissible load values (F) are designed for a service life of 1 million travel cycles. The torque values apply only to centred slides.

An additional centring hole is located at holes D2 and D3 on the top of the slide. Other connecting elements can be precisely mounted on the slide in combination with our centring rings 20240.

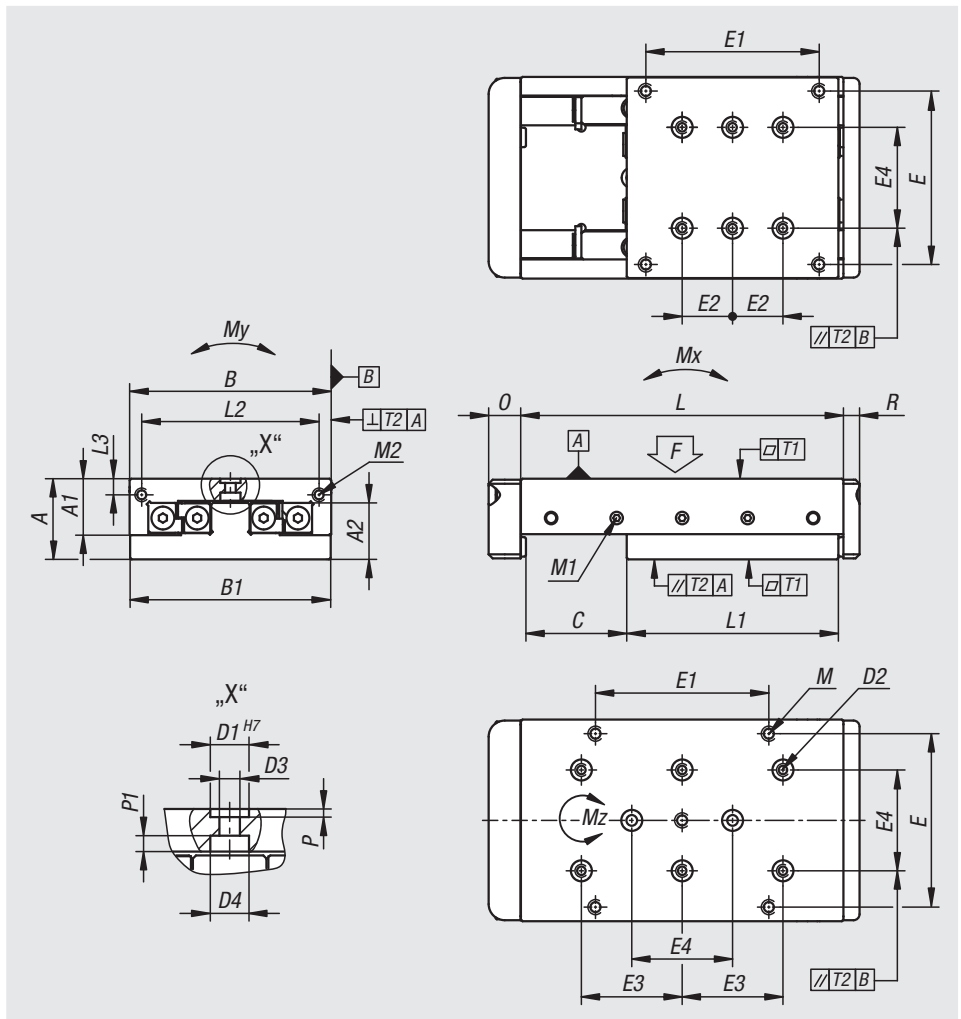
F = permissible loading for dynamic and static loads.

TI E/E1 = number of fastening holes E/E1/M inside.

TA E/E1 = number of fastening holes E/E1/M outside.

TI E4 = number of fastening holes E4/D1 inside.

TA E2 = number of fastening holes E2/D1 outside.



# Precision slides

roller mounted with end plates and location holes



Order No.	A	A1	A2	B	B1	C	D1	D2	D3	D4	E	E1	E2	E3	E4	T1 E/E1	TA E/E1	TA E4	TA E2
21068-040065	20	13	13	40	39,5	15	5	M3	3,3	6,5	30	15	20	20	20	4	6	6	6
21068-040080	20	13	13	40	39,5	30	5	M3	3,3	6,5	30	15	20	20	20	4	8	6	6
21068-050105	25	17	16,3	50	49,5	20	7	M4	4,3	8	-	-	28	28	28	-	-	6	8
21068-050130	25	17	16,3	50	49,5	45	7	M4	4,3	8	-	-	28	28	28	-	-	6	10
21068-060080	25	17	16,3	60	59,5	20	7	M4	4,3	8	-	-	17	34	34	-	-	6	6
21068-060180	25	17	16,3	60	59,5	70	7	M4	4,3	8	-	-	34	34	34	-	-	6	10
21068-100260	40	27,5	28	100	99,5	95	10	M5	5,3	10	86	86	50	50	50	4	6	6	10

Order No.	L	L1	L2	L3	P	P1	O	R	M	M1	M2	T1	T2	F N	Mx Nm	My Nm	Mz Nm
21068-040065	65	50	33	3,8	1,1	3,4	12	5	M3	M3	M3	0,02	0,02	120	1	4	3
21068-040080	80	50	33	3,8	1,1	3,4	12	5	M3	M3	M3	0,02	0,02	80	3	5	5
21068-050105	105	80	40	5,5	1,6	3,2	15,5	8	-	M3	M4	0,02	0,02	520	10	11	15
21068-050130	130	80	40	5,5	1,6	3,2	15,5	8	-	M3	M4	0,02	0,02	263	23	19	33
21068-060080	80	55	50	5,5	1,6	3,2	15,5	8	-	M3	M4	0,02	0,02	265	3	11	7
21068-060180	180	105	50	5,5	1,6	3,2	15,5	8	-	M3	M4	0,02	0,02	305	23	23	34
21068-100260	260	160	86	8	2,1	4,1	16	8	M6	M6	M6	0,03	0,03	1050	89	119	151