

Dovetail slides

with micrometer spindle and location holes



Material:
EN-GJL-250

Version:
Bright, ground.

Sample order:
nlm 21062-050080

Note:

These precise slideways are used in e.g. machine, fixture and metrology equipment construction as well as in the optical and precision engineering industries. The central set screw M1 can be replaced by a clamping lever 06460.

The stated permissible load values (F) are designed for dynamic loads with a service life of 1 million travel cycles.

For static loads, 10 times the table value F is permitted.

The torque values apply only to centred slides.

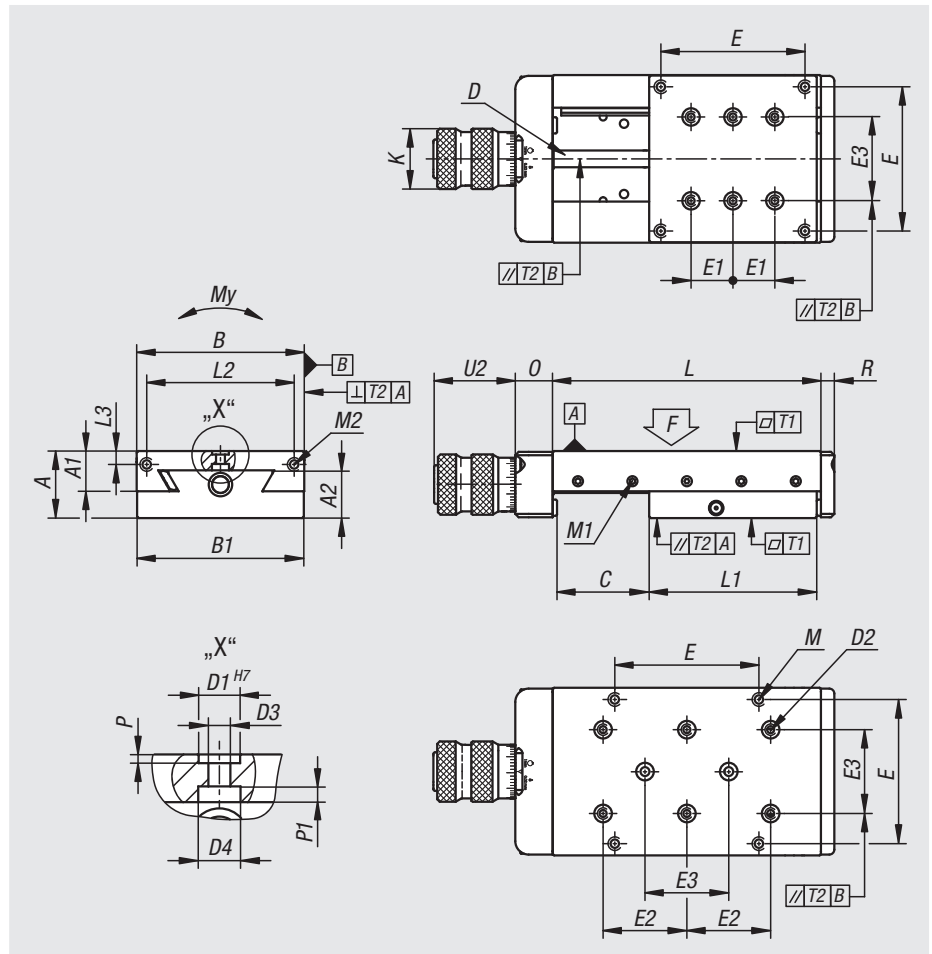
An additional centring hole is located at holes D2 and D3 on the top of the slide. Other connecting elements can be precisely mounted on the slide in combination with our centring rings 20240.

TI E = number of fastening holes E/M inside.

TA E = number of fastening holes E/M outside.

TI E1 = number of fastening holes E1/D1 inside.

TA E1 = number of fastening holes E1/D1 outside.



Dovetail slides

with micrometer spindle and location holes



| Order No. | A | A1 | A2 | B | B1 | C | D | D1 | D2 | D3 | D4 | E | E1 | E2 | E3 | TI E | TA E | TI E1 | TA E1 | K |
|--------------|----|------|------|-----|------|-----|--------|----|----|-----|------|-----|----|-----|-----|---------|---------|----------|----------|------|
| 21062-050080 | 25 | 15 | 17,5 | 50 | 49,5 | 29 | M6x1 | 7 | M4 | 4,3 | 8,2 | - | 14 | 28 | 28 | - | - | 6 | 6 | 23,5 |
| 21062-050105 | 25 | 15 | 17,5 | 50 | 49,5 | 54 | M6x1 | 7 | M4 | 4,3 | 8,2 | - | 14 | 28 | 28 | - | - | 8 | 6 | 23,5 |
| 21062-050180 | 25 | 15 | 17,5 | 50 | 49,5 | 77 | M6x1 | 7 | M4 | 4,3 | 8,2 | - | 28 | 28 | 28 | - | - | 12 | 6 | 23,5 |
| 21062-050205 | 25 | 15 | 17,5 | 50 | 49,5 | 102 | M6x1 | 7 | M4 | 4,3 | 8,2 | 28 | 28 | 28 | 28 | 4 | - | 12 | 6 | 23,5 |
| 21062-075105 | 32 | 19,5 | 22 | 75 | 74,5 | 27 | M8x1 | 10 | M5 | 5,3 | 10 | 62 | 25 | 25 | 50 | 4 | 4 | 6 | 6 | 29 |
| 21062-075130 | 32 | 19,5 | 22 | 75 | 74,5 | 52 | M8x1 | 10 | M5 | 5,3 | 10 | 62 | 25 | 25 | 50 | 4 | 4 | 10 | 6 | 29 |
| 21062-075155 | 32 | 19,5 | 22 | 75 | 74,5 | 77 | M8x1 | 10 | M5 | 5,3 | 10 | 62 | 25 | 25 | 50 | 4 | 4 | 10 | 6 | 29 |
| 21062-075180 | 32 | 19,5 | 22 | 75 | 74,5 | 72 | M8x1 | 10 | M5 | 5,3 | 10 | 62 | 25 | 25 | 50 | 4 | 4 | 14 | 6 | 29 |
| 21062-100135 | 40 | 24 | 28 | 100 | 99,5 | 32 | M10x1 | 10 | M5 | 5,3 | 10,2 | 86 | 25 | 25 | 50 | 4 | 4 | 6 | 6 | 36 |
| 21062-100160 | 40 | 24 | 28 | 100 | 99,5 | 57 | M10x1 | 10 | M5 | 5,3 | 10,2 | 86 | 25 | 25 | 50 | 4 | 4 | 6 | 6 | 36 |
| 21062-100260 | 40 | 24 | 28 | 100 | 99,5 | 108 | M10x1 | 10 | M5 | 5,3 | 10,2 | 86 | 50 | 50 | 50 | 4 | 6 | 10 | 6 | 36 |
| 21062-150210 | 50 | 29,5 | 37 | 150 | 149 | 58 | Tr16x2 | 13 | M6 | 6,3 | 11 | 130 | 50 | 50 | 100 | 4 | 4 | 6 | 6 | 36 |
| 21062-150310 | 50 | 29,5 | 37 | 150 | 149 | 108 | Tr16x2 | 13 | M6 | 6,3 | 11 | 130 | 50 | 100 | 100 | 4 | 6 | 6 | 6 | 36 |

| Order No. | L | L1 | L2 | L3 | P | P1 | O | R | U2 | M | M1 | M2 | T1 | T2 | F N | Mx Nm | My Nm | Mz Nm |
|--------------|-----|-----|-----|-----|-----|-----|------|----|------|----|----|----|-------|-------|--------|----------|----------|----------|
| 21062-050080 | 80 | 48 | 40 | 5,5 | 1,6 | 3,2 | 18,5 | 8 | 43 | - | M5 | M4 | 0,02 | 0,02 | 110 | 2 | 6 | 2 |
| 21062-050105 | 105 | 48 | 40 | 5,5 | 1,6 | 3,2 | 18,5 | 8 | 43 | - | M5 | M4 | 0,02 | 0,02 | 60 | 2 | 6 | 2 |
| 21062-050180 | 180 | 100 | 40 | 5,5 | 1,6 | 3,2 | 18,5 | 8 | 43 | - | M5 | M4 | 0,025 | 0,025 | 120 | 4 | 9 | 4 |
| 21062-050205 | 205 | 100 | 40 | 5,5 | 1,6 | 3,2 | 18,5 | 8 | 43 | - | M5 | M4 | 0,025 | 0,025 | 110 | 4 | 9 | 4 |
| 21062-075105 | 105 | 75 | 60 | 5,5 | 2,1 | 3,6 | 22,4 | 8 | 48,5 | M5 | M5 | M5 | 0,02 | 0,02 | 290 | 5 | 19 | 6 |
| 21062-075130 | 130 | 75 | 60 | 5,5 | 2,1 | 3,6 | 22,4 | 8 | 48,5 | M5 | M5 | M5 | 0,025 | 0,025 | 165 | 5 | 19 | 6 |
| 21062-075155 | 155 | 75 | 60 | 5,5 | 2,1 | 3,6 | 22,4 | 8 | 48,5 | M5 | M5 | M5 | 0,025 | 0,025 | 110 | 5 | 19 | 6 |
| 21062-075180 | 180 | 105 | 60 | 5,5 | 2,1 | 3,6 | 22,4 | 8 | 48,5 | M5 | M5 | M5 | 0,025 | 0,025 | 90 | 5 | 19 | 6 |
| 21062-100135 | 135 | 100 | 88 | 8 | 2,1 | 3,8 | 22,4 | 8 | 49 | M6 | M6 | M6 | 0,025 | 0,025 | 590 | 11 | 43 | 12 |
| 21062-100160 | 160 | 100 | 88 | 8 | 2,1 | 3,8 | 22,4 | 8 | 49 | M6 | M6 | M6 | 0,025 | 0,025 | 350 | 11 | 43 | 12 |
| 21062-100260 | 260 | 149 | 88 | 8 | 2,1 | 3,8 | 22,4 | 8 | 49 | M6 | M6 | M6 | 0,03 | 0,03 | 400 | 23 | 63 | 26 |
| 21062-150210 | 210 | 149 | 135 | 8 | 2,6 | 4,3 | 25 | 10 | 49 | M6 | M6 | M6 | 0,03 | 0,03 | 920 | 31 | 128 | 33 |
| 21062-150310 | 310 | 199 | 135 | 8 | 2,6 | 4,3 | 25 | 10 | 49 | M6 | M6 | M6 | 0,03 | 0,03 | 850 | 53 | 170 | 55 |