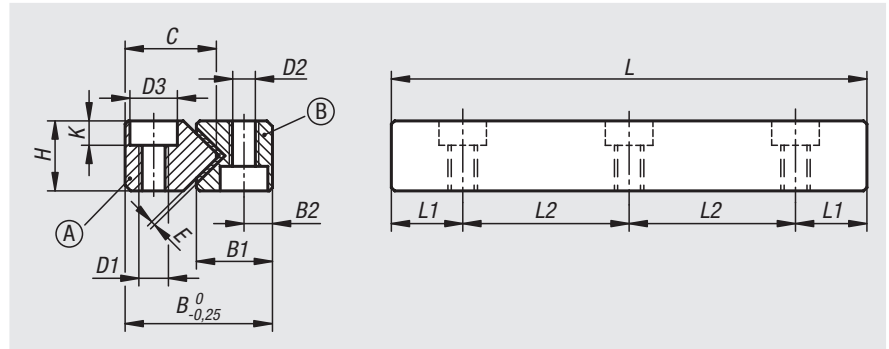
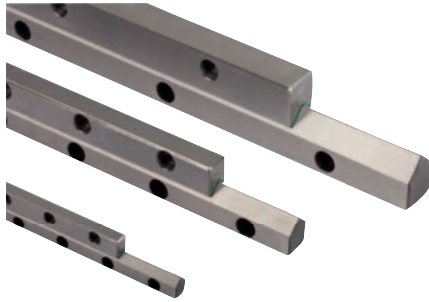


Guide rails

Teflon-coated



Material:

Form A:

tool steel, material hardness 58–62 HRC.

The surfaces are fine ground.

Form B:

free-cutting steel with PTFE coating.

The glide coating is self-lubricating.

Note for ordering:

A guide length of 300 mm and a travel of 100 mm is required for a complete guide with rail size 6:

2 x 21054-1060300

2 x 21054-2060200

(include length L e.g. 300 for L=300 mm)

Note:

When lubricated and under normal conditions, speeds of up to 15 m/min. can be achieved.

Depending on the lubricant, the coefficient of friction can be calculated as 0.04–0.08.

Standard slideway lubricants are applied.

The longitudinal guides are used for moving, machining and positioning tasks.

Application:

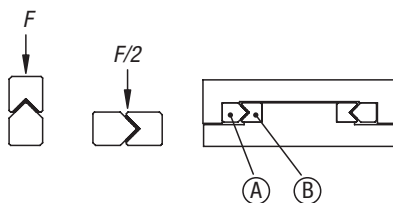
- Industry automation
- Machine tools
- Special machinery
- Tool fixtures
- Metrology equipment

Temperature range:

-40 °C to +80 °C.

Advantages:

- Stick-slip free movement
- Very good dry-running properties
- Highly wear-resistant
- Very good vibration damping
- Resistant to dirt, shock and impact



Guide rails

Teflon-coated

| Order No. Form A | Order No. Form B | B | B1 | B2 | C | D1 | D2 | D3 | E | H | K | L | L1 | L2 | F N |
|---------------------|---------------------|----|------|-----|------|----|------|-----|-----|----|-----|-----|------|-------|--------|
| 21054-1020*** | 21054-2020*** | 12 | 7 | 2,5 | 7,5 | M3 | 2,55 | 4,4 | 0,5 | 6 | 2,1 | 30 | 7,5 | 1x15 | 120 |
| 21054-1020*** | 21054-2020*** | 12 | 7 | 2,5 | 7,5 | M3 | 2,55 | 4,4 | 0,5 | 6 | 2,1 | 45 | 7,5 | 2x15 | 180 |
| 21054-1020*** | 21054-2020*** | 12 | 7 | 2,5 | 7,5 | M3 | 2,55 | 4,4 | 0,5 | 6 | 2,1 | 60 | 7,5 | 3x15 | 240 |
| 21054-1030*** | 21054-2030*** | 18 | 9 | 3,5 | 10,8 | M4 | 3,3 | 6 | 0,6 | 8 | 3,1 | 50 | 12,5 | 1x25 | 142 |
| 21054-1030*** | 21054-2030*** | 18 | 9 | 3,5 | 10,8 | M4 | 3,3 | 6 | 0,6 | 8 | 3,1 | 75 | 12,5 | 2x25 | 213 |
| 21054-1030*** | 21054-2030*** | 18 | 9 | 3,5 | 10,8 | M4 | 3,3 | 6 | 0,6 | 8 | 3,1 | 100 | 12,5 | 3x25 | 285 |
| 21054-1030*** | 21054-2030*** | 18 | 9 | 3,5 | 10,8 | M4 | 3,3 | 6 | 0,6 | 8 | 3,1 | 125 | 12,5 | 4x25 | 356 |
| 21054-1030*** | 21054-2030*** | 18 | 9 | 3,5 | 10,8 | M4 | 3,3 | 6 | 0,6 | 8 | 3,1 | 150 | 12,5 | 5x25 | 427 |
| 21054-1060*** | 21054-2060*** | 31 | 16 | 6 | 19,3 | M6 | 5,3 | 10 | 1 | 15 | 5,2 | 100 | 25 | 1x50 | 684 |
| 21054-1060*** | 21054-2060*** | 31 | 16 | 6 | 19,3 | M6 | 5,3 | 10 | 1 | 15 | 5,2 | 150 | 25 | 2x50 | 1026 |
| 21054-1060*** | 21054-2060*** | 31 | 16 | 6 | 19,3 | M6 | 5,3 | 10 | 1 | 15 | 5,2 | 200 | 25 | 3x50 | 1368 |
| 21054-1060*** | 21054-2060*** | 31 | 16 | 6 | 19,3 | M6 | 5,3 | 10 | 1 | 15 | 5,2 | 250 | 25 | 4x50 | 1710 |
| 21054-1060*** | 21054-2060*** | 31 | 16 | 6 | 19,3 | M6 | 5,3 | 10 | 1 | 15 | 5,2 | 300 | 25 | 5x50 | 2052 |
| 21054-1060*** | 21054-2060*** | 31 | 16 | 6 | 19,3 | M6 | 5,3 | 10 | 1 | 15 | 5,2 | 350 | 25 | 6x50 | 2394 |
| 21054-1060*** | 21054-2060*** | 31 | 16 | 6 | 19,3 | M6 | 5,3 | 10 | 1 | 15 | 5,2 | 400 | 25 | 7x50 | 2736 |
| 21054-1060*** | 21054-2060*** | 31 | 16 | 6 | 19,3 | M6 | 5,3 | 10 | 1 | 15 | 5,2 | 500 | 25 | 9x50 | 3420 |
| 21054-1090*** | 21054-2090*** | 44 | 23,5 | 9 | 28 | M8 | 6,8 | 11 | 1,2 | 22 | 6,2 | 200 | 50 | 1x100 | 2390 |
| 21054-1090*** | 21054-2090*** | 44 | 23,5 | 9 | 28 | M8 | 6,8 | 11 | 1,2 | 22 | 6,2 | 300 | 50 | 2x100 | 3586 |
| 21054-1090*** | 21054-2090*** | 44 | 23,5 | 9 | 28 | M8 | 6,8 | 11 | 1,2 | 22 | 6,2 | 400 | 50 | 3x100 | 4781 |
| 21054-1090*** | 21054-2090*** | 44 | 23,5 | 9 | 28 | M8 | 6,8 | 11 | 1,2 | 22 | 6,2 | 500 | 50 | 4x100 | 5976 |