

Precision slides

roller mounted with end plates

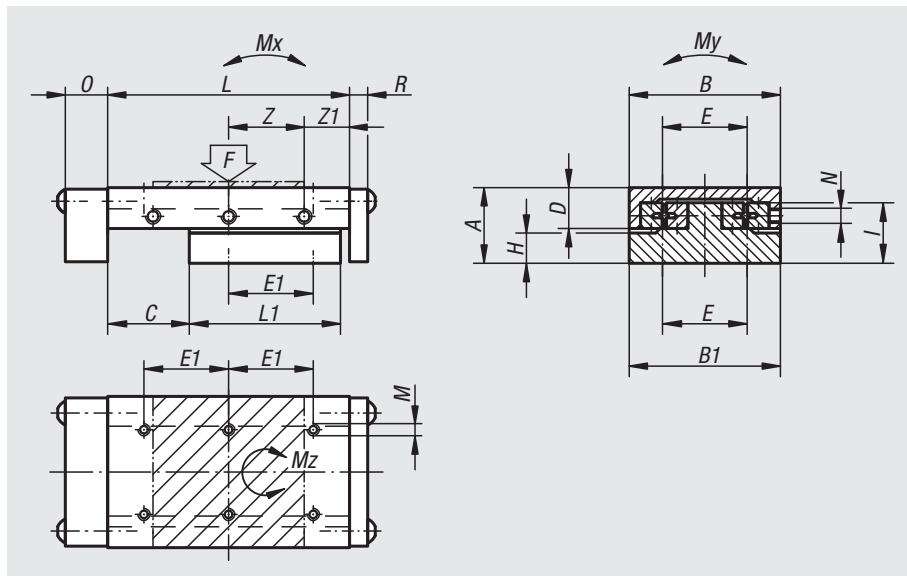
Material:
GJL 250

Version:
Ground

Sample order:
nlm 21038-040090

Note:
Slide is also available in aluminium on request.
The stated permissible loads (F) are for a lifespan of 1 million travel cycles.
The torque values apply only to centred carriages.

F = permissible loading for dynamic and static loads.
TI = number of fastening holes E1/M inside.
TA = number of fastening holes E1/M outside.



Order No.	A	B	B1	C	D	E	E1	TI	TA	H	I	L	L1	M	N	O	R	Z	Z1	F	Mx Nm	My Nm	Mz Nm
21038-040090	20	40	39,5	40	13	30	15	6	8	6,5	13	90	45	M3	M3	12	3	15x2	30	77	1	3	2
21038-050105	25	50	49,5	25	17	28	28	6	8	7,5	18	105	75	M4	M3	14	6	25x2	27,5	623	9	14	15
21038-060180	25	60	59,5	75	17	34	34	6	12	7,5	18	180	100	M4	M4	14	6	25x3	52,5	349	9	17	16
21038-100260	40	100	99,5	100	27,5	86	86	4	6	12	28	260	150	M6	M6	15	6	50x2	80	990	37	80	69

Examples of dovetail slides

Example of slides mounted as a manual cross table

