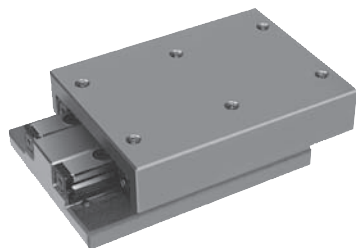


## Precision slides

roller mounted



**Material:**  
GJL 250

**Version:**  
Ground

**Sample order:**  
nlm 21034-050105

**Note:**

A clamp that acts on the side edge without loading the guide geometry can be supplied as an optional extra.

F = permissible dynamic or static load.

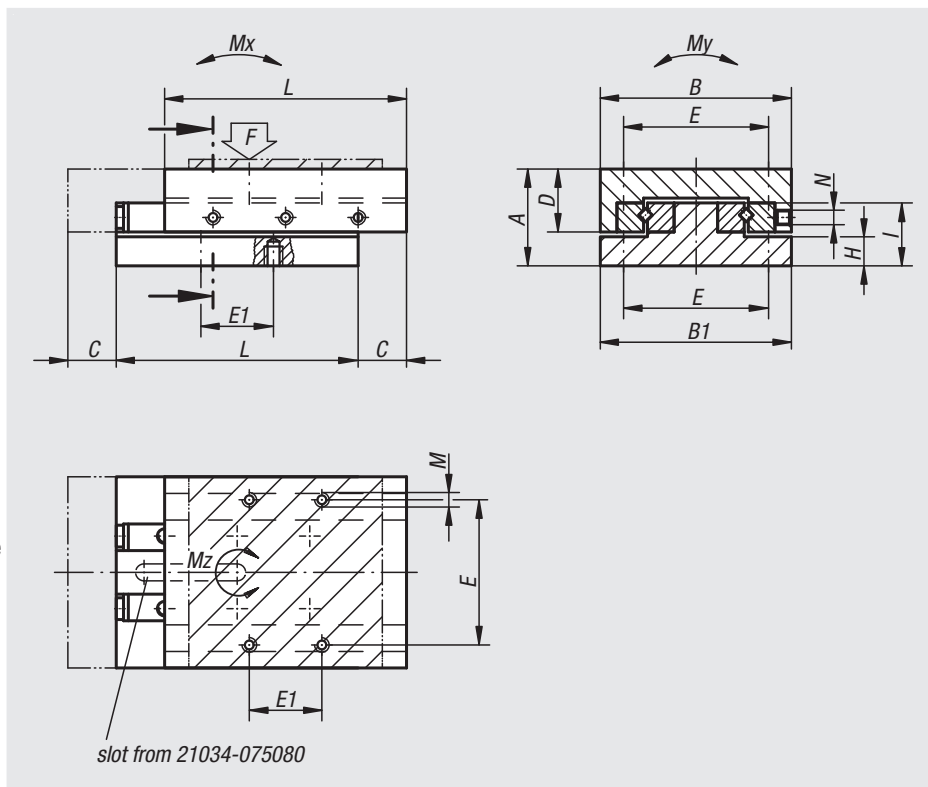
The stated permissible loads (F) are for a lifespan of 1 million travel cycles.

The torque values apply only to centred carriages.

Cross slides are also available on request.

TI = number of fastening holes E/M inside

TA = number of fastening holes E/M outside



Order No.	A	B	B1	C	D	E	E1	TI	TA	H	I	L	M	N	F N	Mx Nm	My Nm	Mz Nm
21034-040050	20	40	39,5	10	13	30	15	4	4	-	13	50	M3	M3	206	1	4	3
21034-0400501	20	40	39,5	17,5	13	30	15	4	4	-	13	50	M3	M3	85	1	3	2
21034-040065	20	40	39,5	25	13	30	15	6	6	-	13	65	M3	M3	114	1	4	3
21034-040080	20	40	39,5	32,5	13	30	15	8	8	-	13	80	M3	M3	143	3	5	5
21034-050055	25	50	49,5	10	17	28	28	4	4	-	18	55	M4	M3	283	4	7	6
21034-050080	25	50	49,5	30	17	28	28	6	6	-	18	80	M4	M3	189	3	9	7
21034-050105	25	50	49,5	40	17	28	28	8	8	-	18	105	M4	M3	301	10	11	15
21034-050155	25	50	49,5	60	17	28	28	12	12	-	18	155	M4	M3	476	23	19	33
21034-060055	25	60	59,5	10	17	34	34	4	4	-	18	55	M4	M3	288	4	8	6
21034-060080	25	60	59,5	30	17	34	34	6	6	-	18	80	M4	M3	192	3	11	7
21034-060105	25	60	59,5	40	17	34	34	6	6	-	18	105	M4	M4	305	10	14	15
21034-060155	25	60	59,5	60	17	34	34	10	10	-	18	155	M4	M4	483	23	23	34
21034-075080	32	75	74,5	15	21	62	62	4	4	10,5	23	80	M5	M5	487	10	18	15
21034-075105	32	75	74,5	20	21	62	62	4	4	10,5	23	105	M5	M5	690	18	26	27
21034-075130	32	75	74,5	25	21	62	62	4	4	10,5	23	130	M5	M5	895	29	33	42
21034-100110	40	100	99,5	15	27,5	86	86	4	4	12	28	110	M6	M6	1284	43	59	63
21034-100160	40	100	99,5	52,5	27,5	86	86	4	4	12	28	160	M6	M6	946	37	79	68
21034-100210	40	100	99,5	80	27,5	86	86	6	6	12	28	210	M6	M6	1066	60	99	105
21034-100260	40	100	99,5	105	27,5	86	86	6	6	12	28	260	M6	M6	1228	89	119	151