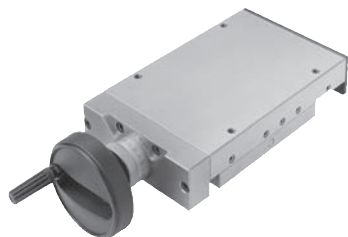


Dovetail slides

with micrometer spindle and handwheel



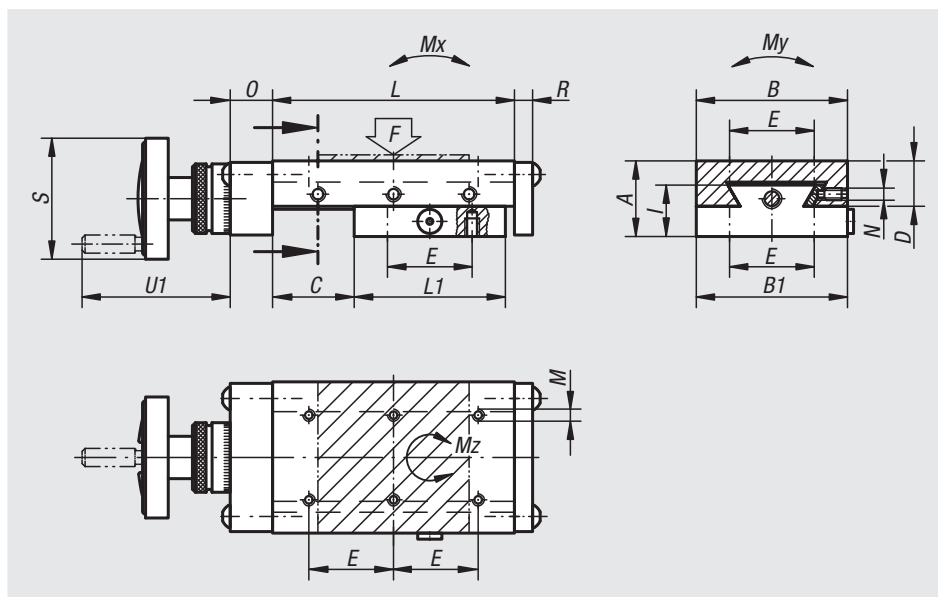
Material:
GJL 250

Version:
Bright, ground.

Sample order:
nlm 21033-150310

Note:
The central set screw "N" can be replaced by a clamping lever 06460. The micrometer scale is graduated in 0.02 mm increments. Other graduations available on request. The revolving grip on the handwheel can fold down.
The stated permissible load values (F) are designed for dynamic loads with a lifespan of 1 million travel cycles.
For static loads 10 times the value F is permitted.
The torque values apply only to centred carriages.

TI = number of fastening holes E/M inside
TA = number of fastening holes E/M outside



Order No.	A	B	B1	C	D	E	TI	TA	I	L	L1	M	N	O	R	S	U1	Spindle	F	Mx	My	Mz
																			N	Nm	Nm	Nm
21033-150210	50	150	149	50	29,5	130	4	4	35,5	210	150	M8	M8	28	8	80	100	Tr 16x2	917	31	128	33
21033-150310	50	150	149	100	29,5	130	4	6	35,5	310	200	M8	M8	28	8	80	100	Tr 16x2	868	53	169	58