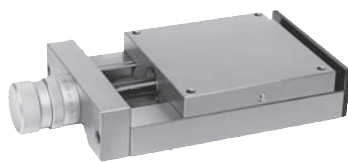


Dovetail slides

with micrometer spindle



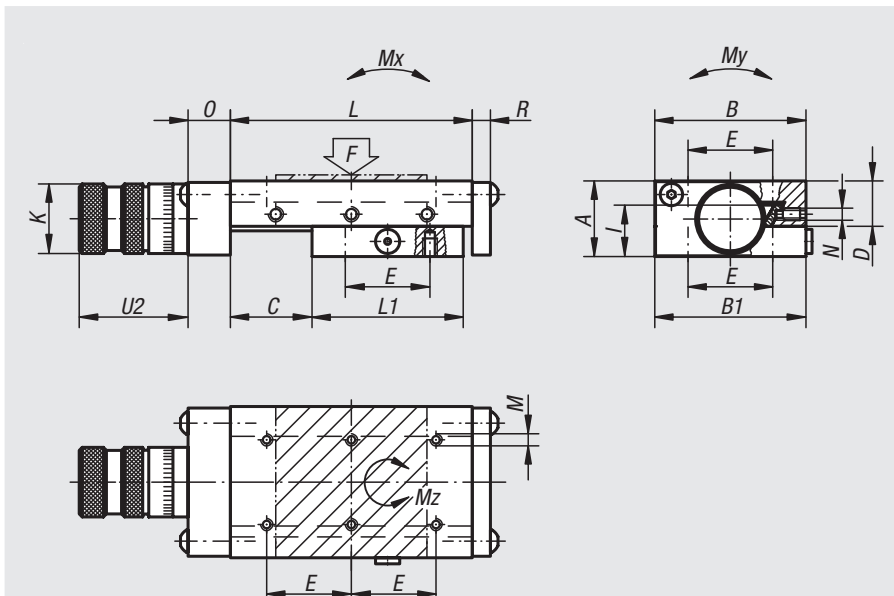
Material:
GJL 250

Version:
Bright, ground.

Sample order:
nlm 21032-075130

Note:
The central set screw „N“ can be replaced by a clamping lever 06460. The scale ring is graduated in 0.02 mm increments. Other graduations available on request.
The stated permissible load values (F) are designed for dynamic loads with a lifespan of 1 million travel cycles. For static loads 10 times the value F is permitted. The torque values apply only to centred carriages.

TI = number of fastening holes E/M inside
TA = number of fastening holes E/M outside



Order No.	A	B	B1	C	D	E	TI	TA	I	K	L	L1	M	N	O	R	U2	Spindle	F N	Mx Nm	My Nm	Mz Nm
21032-050080	25	50	49,5	25	15	28	4	6	17,6	23	80	50	M4	M5	19	6	31	M6x1	109	2	6	2
21032-050105	25	50	49,5	50	15	28	4	8	17,6	23	105	50	M4	M5	19	6	31	M6x1	61	4	9	4
21032-050205	25	50	49,5	100	15	28	8	16	17,6	23	205	100	M4	M5	19	6	31	M6x1	114	7	12	8
21032-075105	32	75	74,5	25	19,5	62	4	4	22,5	30	105	75	M5	M5	21	6	38	M10x1	290	5	19	6
21032-075130	32	75	74,5	50	19,5	62	4	4	22,5	30	130	75	M5	M5	21	6	38	M10x1	168	5	19	6
21032-075155	32	75	74,5	75	19,5	62	4	4	22,5	30	155	75	M5	M5	21	6	38	M10x1	118	5	19	6
21032-100135	40	100	99,5	25	24	86	4	4	27,5	30	135	100	M6	M6	21	6	38	M10x1	586	11	43	12
21032-100160	40	100	99,5	50	24	86	4	4	27,5	30	160	100	M6	M6	21	6	38	M10x1	351	11	43	12
21032-100260	40	100	99,5	100	24	86	4	6	27,5	30	260	150	M6	M6	21	6	38	M10x1	395	23	63	26
21032-200310	60	200	199	100	37	170	4	4	41,5	47	310	200	M8	M8	28	8	53	Tr 16x2	1078	66	283	71

20000
21000
22000
23000
24000
26000
27000
28000
29000
31000
32000
33000