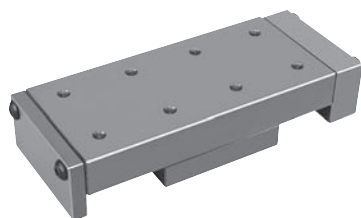


Dovetail slides

with end plates



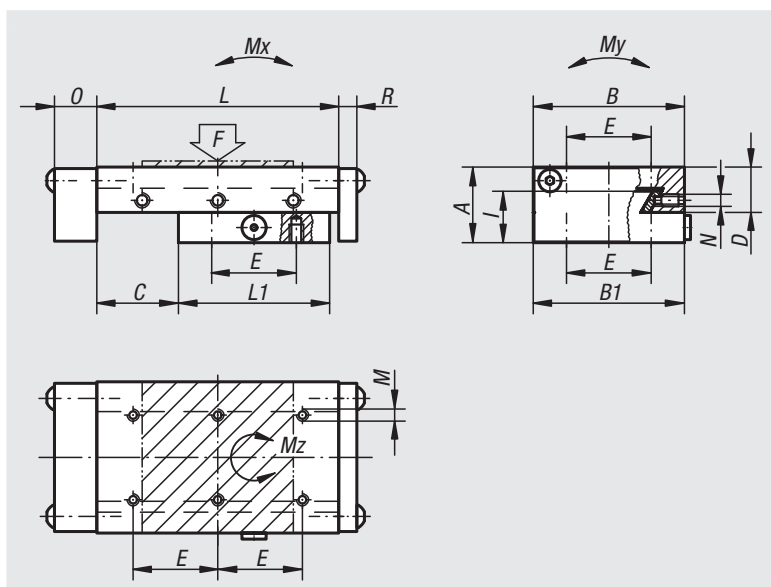
Material:
GJL 250

Version:
Bright, ground.

Sample order:
nlm 21031-100135

Note:
The central set screw "N" can be replaced by a clamping lever 06460.
The stated permissible load values (F) are designed for dynamic loads with a lifespan of 1 million travel cycles.
For static loads 10 times the value F is permitted.
The torque values apply only to centred carriages.

TI = number of fastening holes E/M inside
TA = number of fastening holes E/M outside



Order No.	A	B	B1	C	D	E	TI	TA	I	L	L1	M	N	O	R	F	Mx Nm	My Nm	Mz Nm
21031-050080	25	50	49,5	25	15	28	4	6	17,6	80	50	M4	M5	14	6	109	2	6	2
21031-050105	25	50	49,5	50	15	28	4	8	17,6	105	50	M4	M5	14	6	61	2	6	2
21031-075105	32	75	74,5	25	19,5	62	4	4	22,5	105	75	M5	M5	15	6	290	5	19	6
21031-075130	32	75	74,5	50	19,5	62	4	4	22,5	130	75	M5	M5	15	6	168	5	19	6
21031-100135	40	100	99,5	25	24	86	4	4	27,5	135	100	M6	M6	15	6	586	11	43	12
21031-100160	40	100	99,5	50	24	86	4	4	27,5	160	100	M6	M6	15	6	351	11	43	12
21031-100260	40	100	99,5	100	24	86	4	6	27,5	260	150	M6	M6	15	6	395	23	63	26