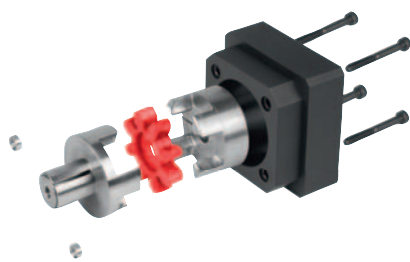


# Motor adapter sets



**Material:**

Elastomer spider polyurethane Shore 98A.  
 Coupling housing and clamping hub, aluminium.  
 Expanding mandrel steel.  
 Screws steel.  
 Centring rings 1.4301 stainless steel.

**Version:**

Coupling housing black anodised.

**Sample order:**

n1m 20320-604710

**Note:**

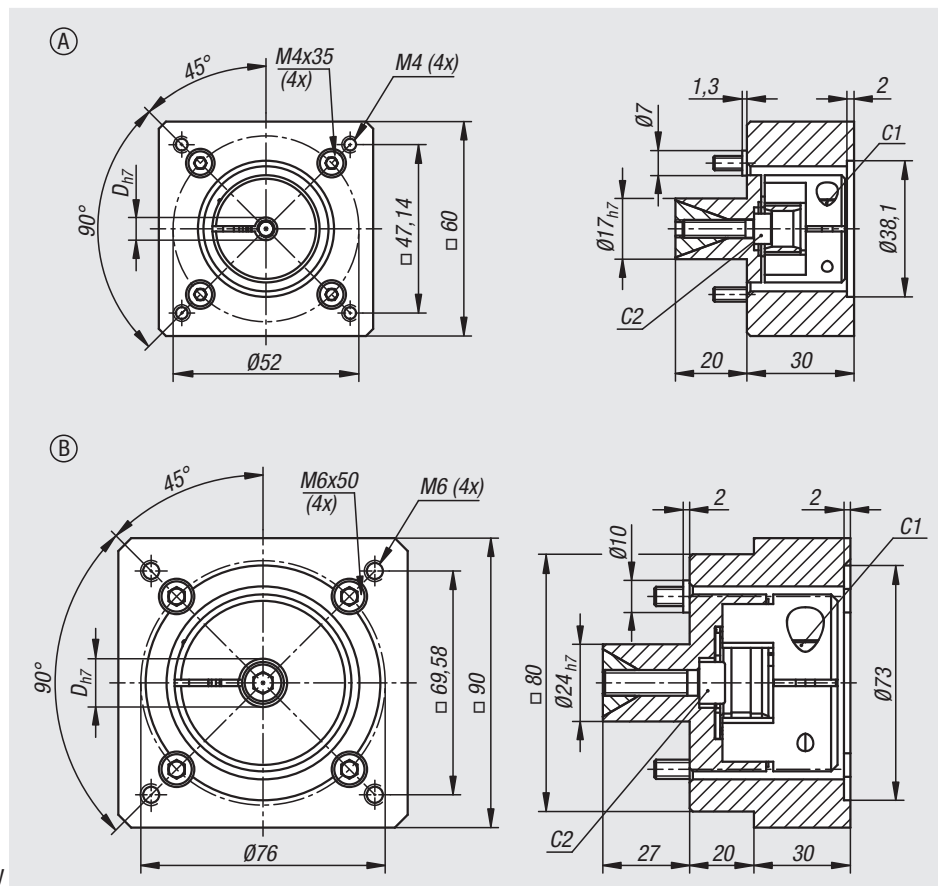
The motor adapter set with elastomer dog coupling system (elastomer coupling with expanding mandrel) provides a simple and cost-effective solution for connecting electric motors.

**Advantages of the elastomer dog coupling:**

- Hub with expanding mandrel can be mounted axially
- Play-free with vibration absorption
- Excellent retaining force
- Excellent concentric accuracy
- Short design
- Easy to assemble
- Can be mounted axially on spigot side
- Electrical insulation
- Nominal torque up to 30 Nm

**On request:**

Larger hub bore D.  
 Higher nominal torque.



Order No.	Form	Size	C1	C2	D	Nominal torque Nm	Moment of inertia (10 <sup>-3</sup> kgm <sup>2</sup> )	Max. rpm	Tightening torque of screw C1 Nm	tightening torque of screw C2 Nm
20320-604710	A	60	M3	M5	6,35	4,8	0,01	20000	1,4	9
20320-806960	B	80	M6	M8	14	30	0,15	14000	15	32

20000 21000 22000 23000 24000 26000 27000 28000 29000 31000 32000 33000