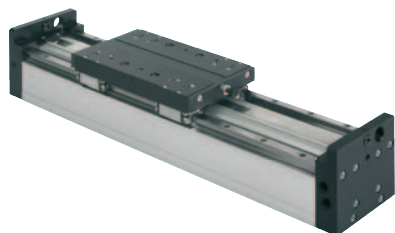


Linear gantry module

with rail guides



Material:

Body, carriage and flange plate aluminium alloy.
Guide rails steel

Version:

Body anodised natural colour.
Carriage and flange plate anodised.
Rail guides hardened.

Sample order:

nIm 20200-1065X0500

Note:

Portal modules with ball rail guides.
Pneumatic drive through a rodless cylinder. High load rating due to stiffened self-supporting aluminium profiles. The modules can be mounted in any position. Specified loads apply to dynamic loads.

Repeat accuracy ± 0.02 mm.

Temperature range:

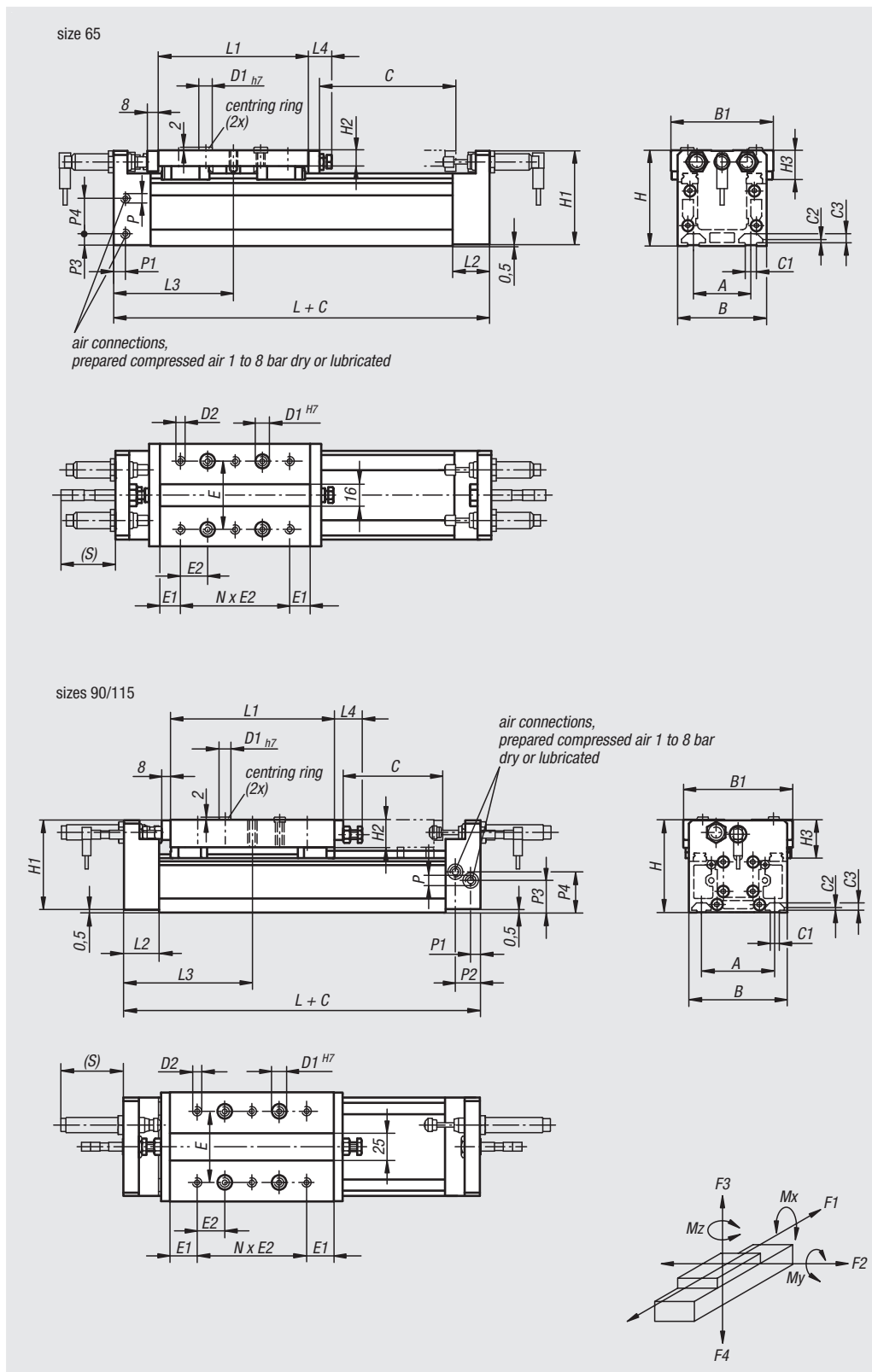
+5 °C to +70 °C
(+5 °C to +60 °C by size 65)

On request:

* Other lengths (travel C max. 5000 mm) and intermediate positions.

Accessories:

See table for shock absorbers, proximity switches and plug connectors.



Linear gantry module

with rail guides

Order No.	Size	A	B	B1	C1	C2	C3	C (travel)	D1	D2	E	E1	E2	H	H1	H2	H3	L
20200-1065X0500	65	42	65	75	8,1	2,5	6,8	500*	10	M5	50	15	20	70	69,5	11,5	21,5	175
20200-1090X0500	90	67	90	100	8,1	2,5	6,8	500*	10	M6	65	25	25	85	84,5	25	35	235
20200-1115X0500	115	97	125	135	10	5	8,5	500*	13	M8	90	20	30	115	114,5	25	44,8	305

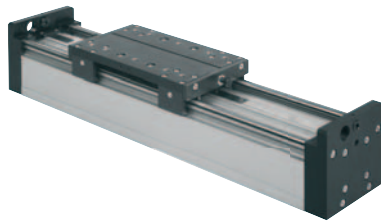
Order No.	Size	L1	L2	L3	L4	N (number)	P	P1	P2	P3	P4	S
20200-1065X0500	65	110	27	87,5	17	4	M5	8,5	-	8,5	25,8	40
20200-1090X0500	90	150	32	117,5	25,5	4	G1/8	9	23	30	38	64,5
20200-1115X0500	115	220	32	152,5	25,5	6	G1/4	15,5	19,5	40,5	60,5	62,5

Order No.	Size	Piston force at 6 bar (N)	Cylinder Ø	Air consumption per 10 mm travel at 6 bar (ccm)	Mx Nm	My Nm	Mz Nm	F1 N	F2 N	F3 N	F4 (N)
20200-1065X0500	65	150	18	18	155	260	260	460	610	610	610
20200-1090X0500	90	250	25	35	310	410	410	560	750	750	750
20200-1115X0500	115	640	40	88	1570	2270	2270	1550	2070	2070	2070

Order No.	Size	Suitable shock absorber	Suitable proximity switch	Suitable plug connector
20200-1065X0500	65	26300-1210010	83000-10-030	80150-010X2000
20200-1090X0500	90	26300-1415010	83000-10-030	80150-010X2000
20200-1115X0500	115	26300-2015016	83000-10-030	80150-010X2000

Linear gantry module

with round guides



Material:

Body, carriage and flange plate aluminium alloy.
Guide shafts steel.

Version:

Body anodised natural colour.
Carriage and flange plate anodised.
Rail guides hardened.

Sample order:

nIm 20200-2090X0500

Note:

Portal modules with precision steel shafts and ball guide bushes. Pneumatic drive through a rodless cylinder. High load rating due to stiffened self-supporting aluminium profiles. The modules can be mounted in any position. Specified loads apply to dynamic loads.

Repeat accuracy ± 0.02 mm.

Temperature range:

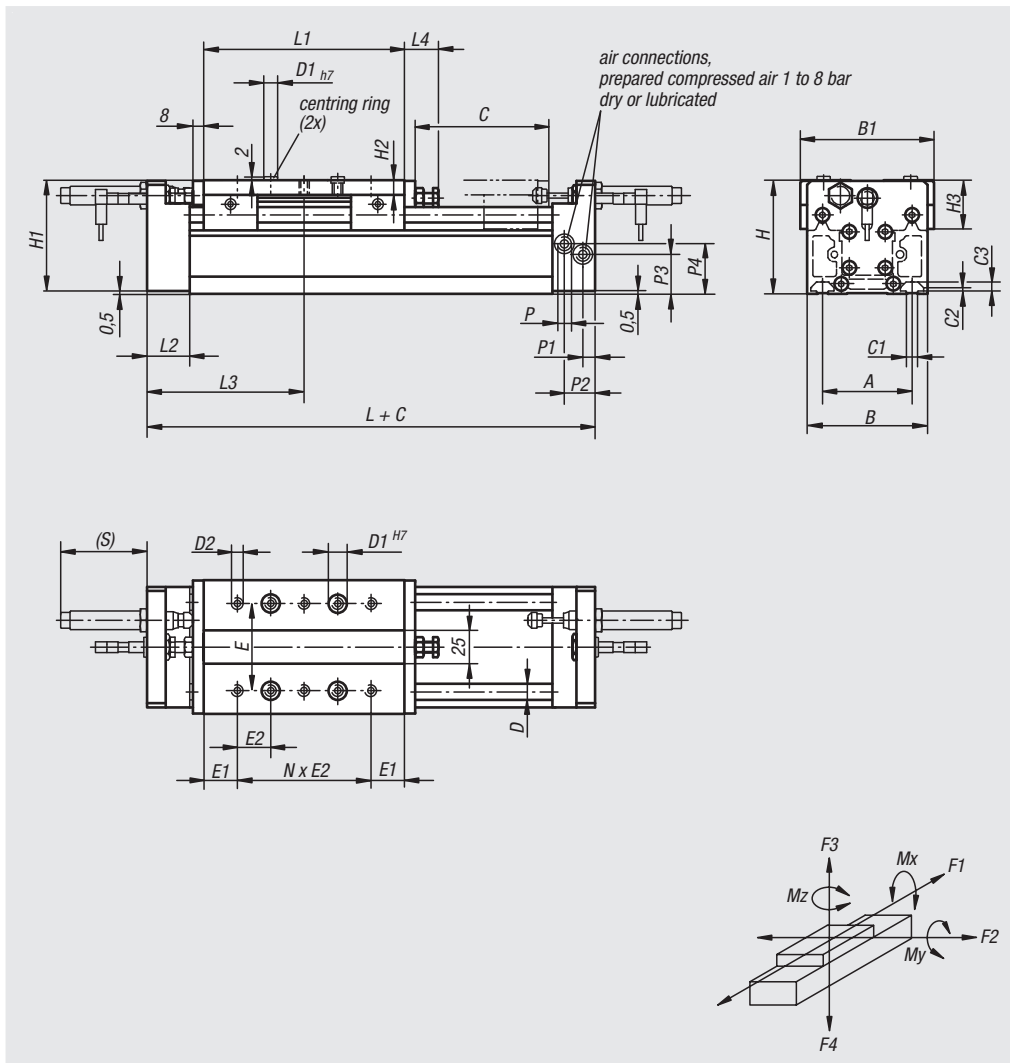
+5 °C to +70 °C

On request:

* Other lengths (travel C max. 5000 mm) and intermediate positions.

Accessories:

See table for shock absorbers, proximity switches and plug connectors.



Linear gantry module

with round guides

Order No.	Size	A	B	B1	C1	C2	C3	C (travel)	D	D1	D2	E	E1	E2	H	H1	H2	H3	L
20200-2090X0500	90	67	90	100	8,1	2,5	6,8	500*	12	10	M6	65	25	25	85	84,5	11	36,5	235
20200-2115X0500	115	97	125	135	10	5	8,5	500*	16	13	M8	90	20	30	115	114,5	12,5	46,5	305

Order No.	Size	L1	L2	L3	L4	N (number)	P	P1	P2	P3	P4	S
20200-2090X0500	90	150	32	117,5	25,5	4	G1/8	9	23	30	38	64,5
20200-2115X0500	115	220	32	152,5	25,5	6	G1/4	15,5	19,5	40,5	60,5	62,5

Order No.	Size	Piston force at 6 bar (N)	Cylinder \emptyset	Air consumption per 10 mm travel at 6 bar (ccm)	Mx Nm	My Nm	Mz Nm	F1 N	F2 N	F3 N	F4 (N)
20200-2090X0500	90	250	25	35	50	65	160	90	45	120	290
20200-2115X0500	115	640	40	88	70	130	310	180	90	145	340

Order No.	Size	Suitable shock absorber	Suitable proximity switch	Suitable plug connector
20200-2090X0500	90	26300-1415010	83000-10-030	80150-010X2000
20200-2115X0500	115	26300-2015016	83000-10-030	80150-010X2000

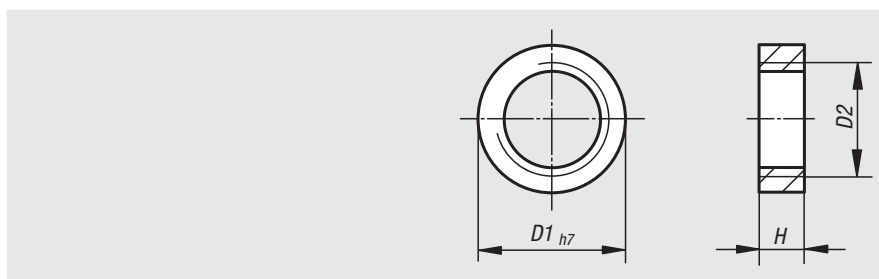
Centring rings



Material:
Stainless steel 1.4301.

Sample order:
nlm 20240-0705

Note:
The centring rings are used to precisely join modules, or to mount the modules indirectly using adapter plates.
The female thread is used to pull the centring rings out.



Order No.	D1	D2	H
20240-0403	4	M3	2
20240-0504	5	M4	2
20240-0705	7	M5	3
20240-1008	10	M8	4
20240-1310	13	M10	4