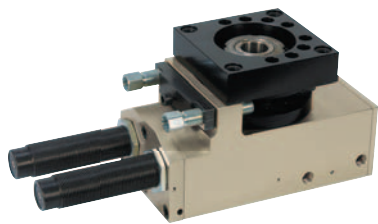


# Rotary module pneumatic



**Material:**

Housing high-strength aluminium.  
Stop system steel.

**Version:**

Housing anodised.  
Stop system hardened and black oxidised.

**Sample order:**

n1m 20064-019

**Note:**

Maintenance-free pneumatic rotary module with double actuated drive cylinder. Control by 4/2 or 5/2 directional valve. Pneumatic drive, 4-8 bar, constant, filtered (10 µm), dried, oiled or unoiled. Compressed air connection R1/8. Modules of the same size can be combined with one another without adapter plates via the precise centring system by means of centring rings 20240.

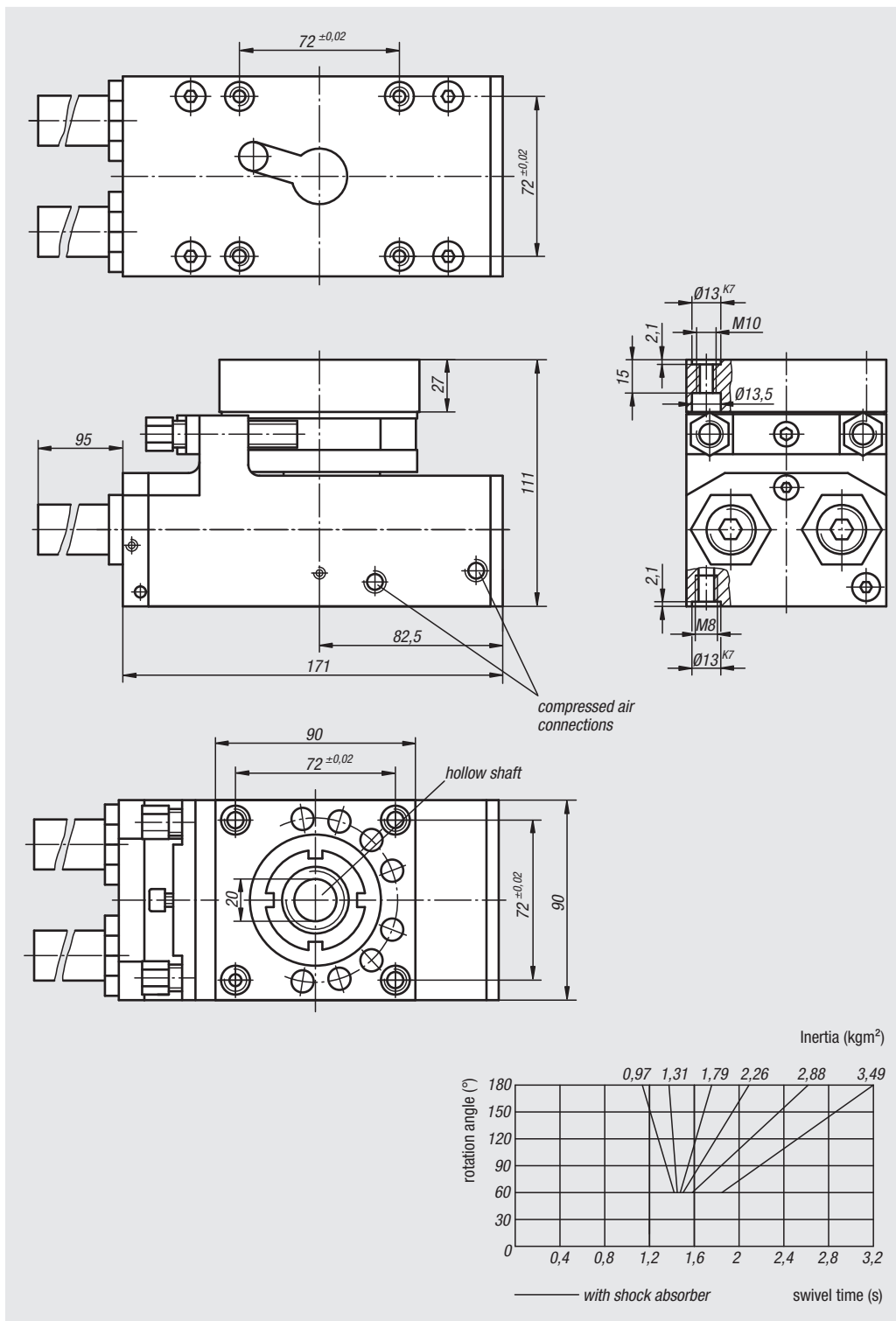
The 0° – 190° rotation angle is infinitely adjustable.

Repeat accuracy ±0.01°.

Shock absorbers are supplied.

**Accessories:**

See table for proximity switches and plug connectors.



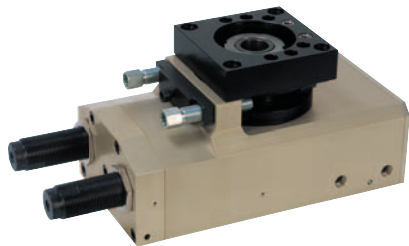
| Order No. | Size | Driving torque Nm | tilt moment max. Nm | Rotation angle | Axial load N | Radial load N | Cylinder $\varnothing$ | Air consumption per cycle at 6 bar (ccm) |
|-----------|------|-------------------|---------------------|----------------|--------------|---------------|------------------------|--|
| 20064-019 | 9    | 12                | 110                 | 0° - 190°      | 1800         | 2400          | 2 x 32                 | 161                                      |

| Order No. | Size | Suitable proximity switch | Suitable plug connector |
|-----------|------|---------------------------|-------------------------|
| 20064-019 | 9    | 83000-15-030              | 80150-010X2000          |

20000  
21000  
22000  
23000  
24000  
26000  
27000  
28000  
29000  
31000  
32000  
33000

# Rotary module pneumatic

heavy duty version



**Material:**

Housing high-strength aluminium.  
Stop system steel.

**Version:**

Housing anodised.  
Stop system hardened and black oxidised.

**Sample order:**

n1m 20064-029

**Note:**

Maintenance-free pneumatic rotary module with double actuated drive cylinder, heavy-duty version. Control by 4/2 or 5/2 directional valve. Pneumatic drive, 4-8 bar, constant, filtered (10 µm), dried, oiled or unoiled. Compressed air connection R1/8. Modules of the same size can be combined with one another without adapter plates via the precise centring system by means of centring rings 20240.

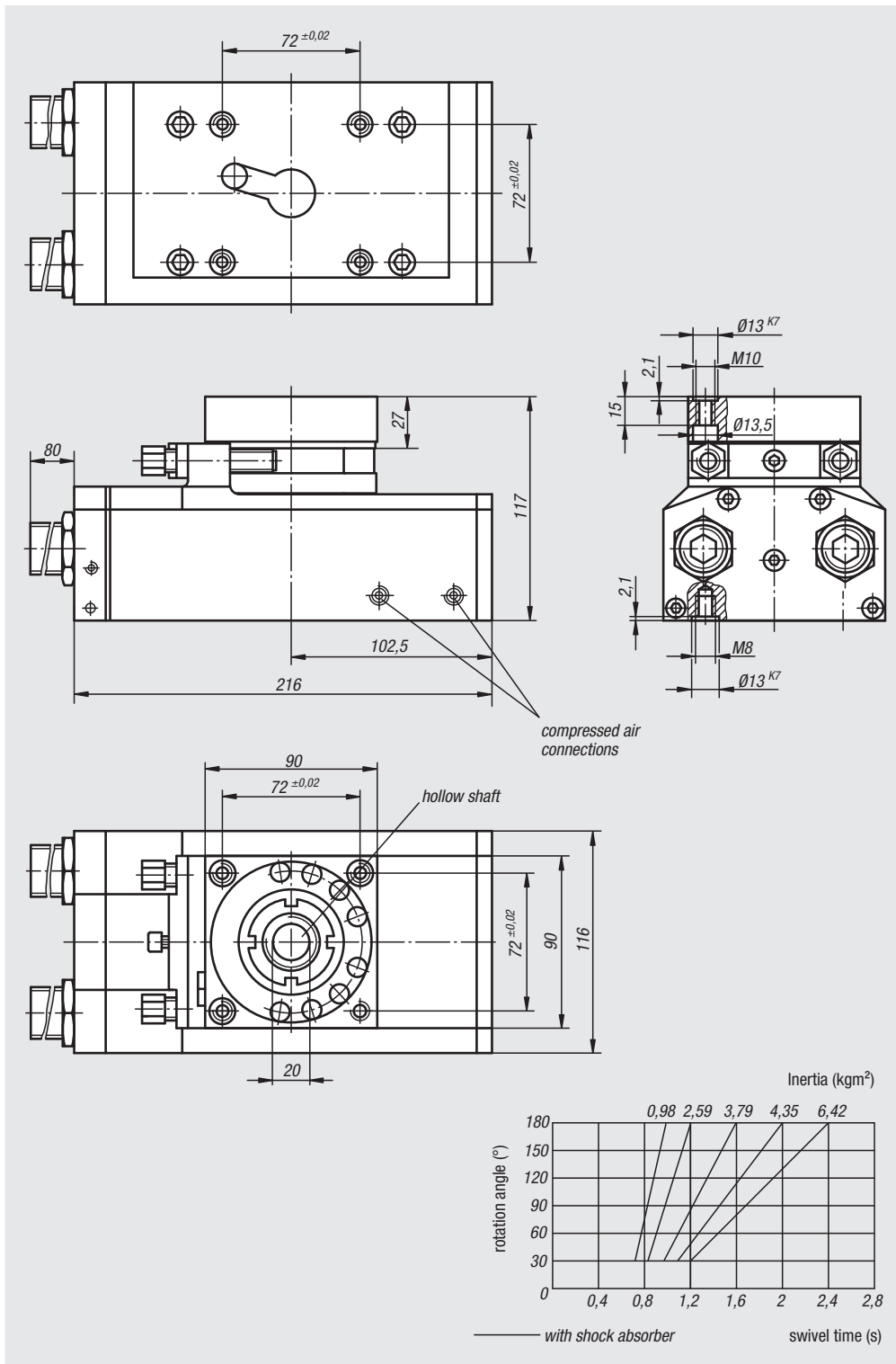
The 0° – 190° rotation angle is infinitely adjustable.

Repeat accuracy ±0.01°.

Shock absorbers are supplied.

**Accessories:**

See table for proximity switches and plug connectors.



| Order No. | Size | Driving torque Nm | tilt moment max. Nm | Rotation angle | Axial load N | Radial load N | Cylinder Ø | Air consumption per cycle at 6 bar (ccm) |
|-----------|------|-------------------|---------------------|----------------|--------------|---------------|------------|--|
| 20064-029 | 9    | 24                | 110                 | 0° - 190°      | 1800         | 2400          | 2 x 38     | 303                                      |

| Order No. | Size | Suitable proximity switch | Suitable plug connector |
|-----------|------|---------------------------|-------------------------|
| 20064-029 | 9    | 83000-15-030              | 80150-010X2000          |