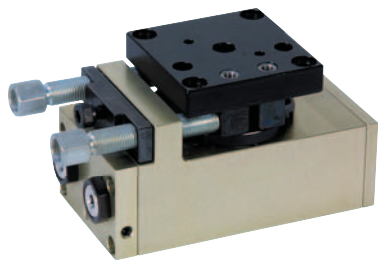


# Rotary module pneumatic



**Material:**

Housing high-strength aluminium.  
Stop system steel.

**Version:**

Housing anodised.  
Stop system hardened and black oxidised.

**Sample order:**

n1m 20062-016

**Note:**

Maintenance-free pneumatic rotary module with double actuated drive cylinder. Control by 4/2 or 5/2 directional valve. Pneumatic drive, 4-8 bar, constant, filtered (10 µm), dried, oiled or unoled. Compressed air connection M5.

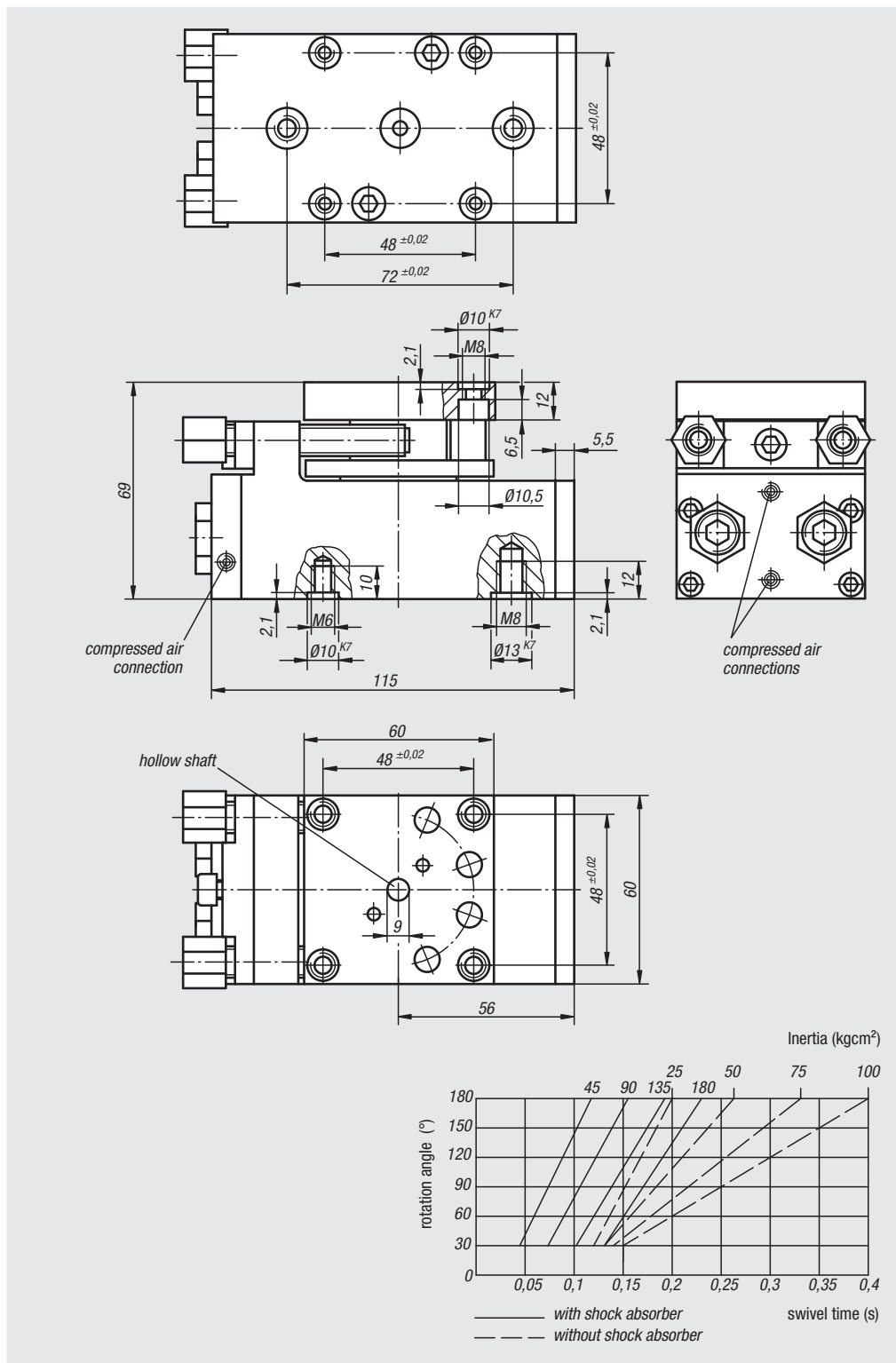
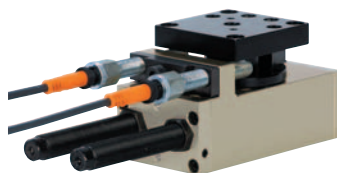
Modules of the same size can be combined with one another without adapter plates by the precise centring system by means of centring rings 20240.

The 0° – 190° rotation angle is infinitely adjustable.

Repeat accuracy ±0.01°.

**Accessories:**

See table for shock absorber, proximity switch and plug connector.



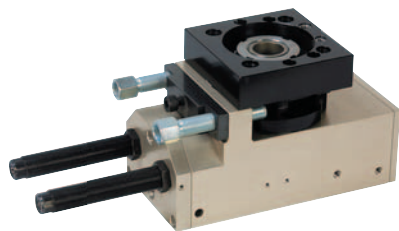
Order No.	Size	Driving torque Nm	Rotation angle	Axial load N	Radial load N	Cylinder Ø	Air consumption per cycle at 6 bar (ccm)
20062-016	6	3,5	0° - 190°	350	450	2 x 22	45

Order No.	Size	Suitable shock absorber	Suitable proximity switch	Suitable plug connector
20062-016	6	26310-1410012	83000-15-030	80150-010X2000

20000  
21000  
22000  
23000  
24000  
26000  
27000  
28000  
29000  
31000  
32000  
33000

# Rotary module pneumatic

heavy duty version



**Material:**

Housing high-strength aluminium.  
Stop system steel.

**Version:**

Housing anodised.  
Stop system hardened and black oxidised.

**Sample order:**

nIm 20062-026

**Note:**

Maintenance-free pneumatic rotary module with double actuated drive cylinder, heavy duty version. Control by 4/2 or 5/2 directional valve. Pneumatic drive, 4-8 bar, constant, filtered (10 µm), dried, oiled or unoled. Compressed air connection M5. Modules of the same size can be combined with one another without adapter plates via the precise centring system by means of centring rings 20240.

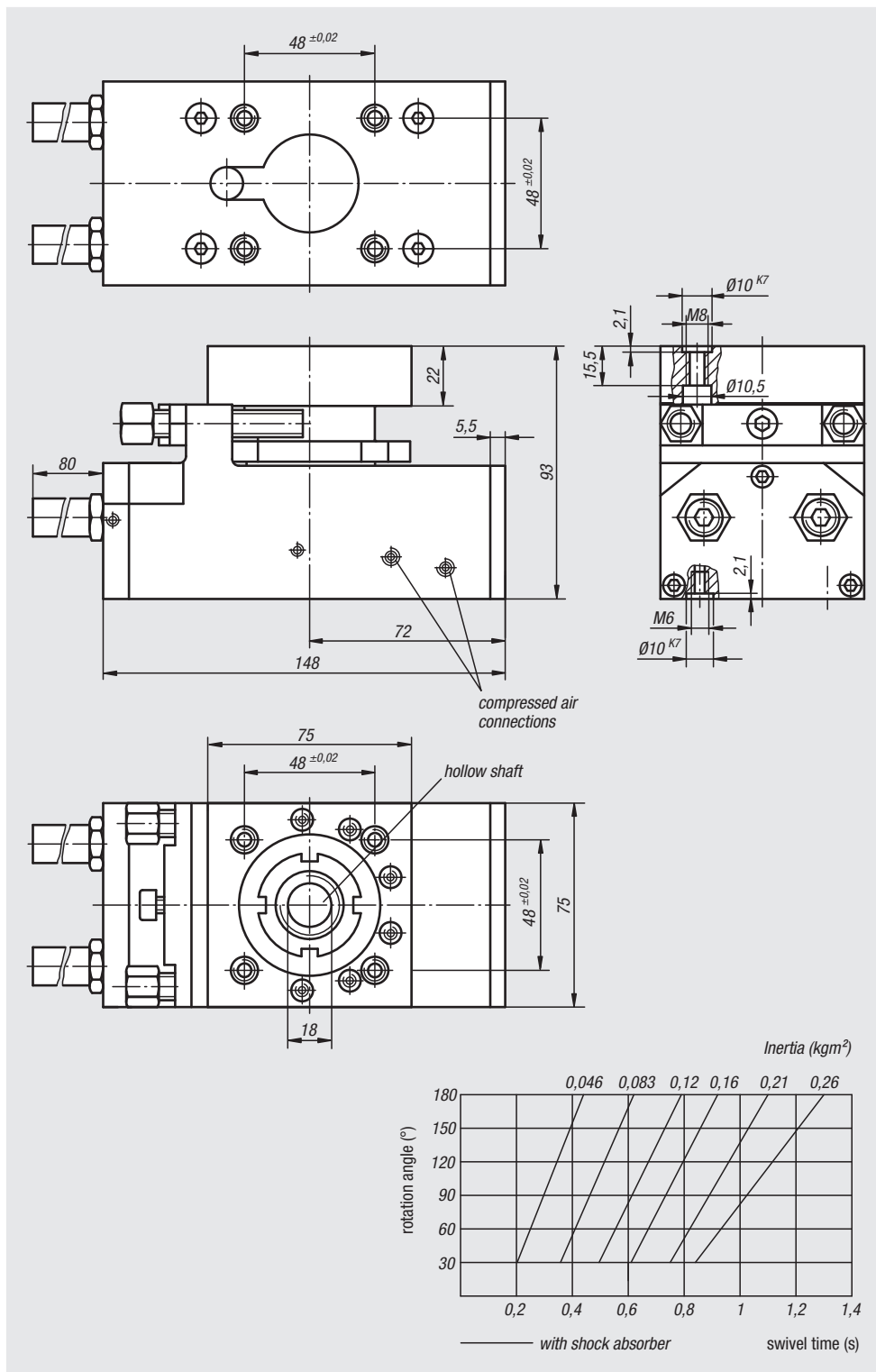
The 0° – 190° rotation angle is infinitely adjustable.

Repeat accuracy ±0.01°.

Shock absorbers are supplied.

**Accessories:**

See table for proximity switches and plug connectors.



Order No.	Size	Driving torque Nm	tilt moment max. Nm	Rotation angle	Axial load N	Radial load N	Cylinder Ø	Air consumption per cycle at 6 bar (ccm)
20062-026	6	6,5	55	0° - 190°	1100	1600	2 x 25	88

Order No.	Size	Suitable proximity switch	Suitable plug connector
20062-026	6	83000-15-030	80150-010X2000