

Eccentric clamp modules



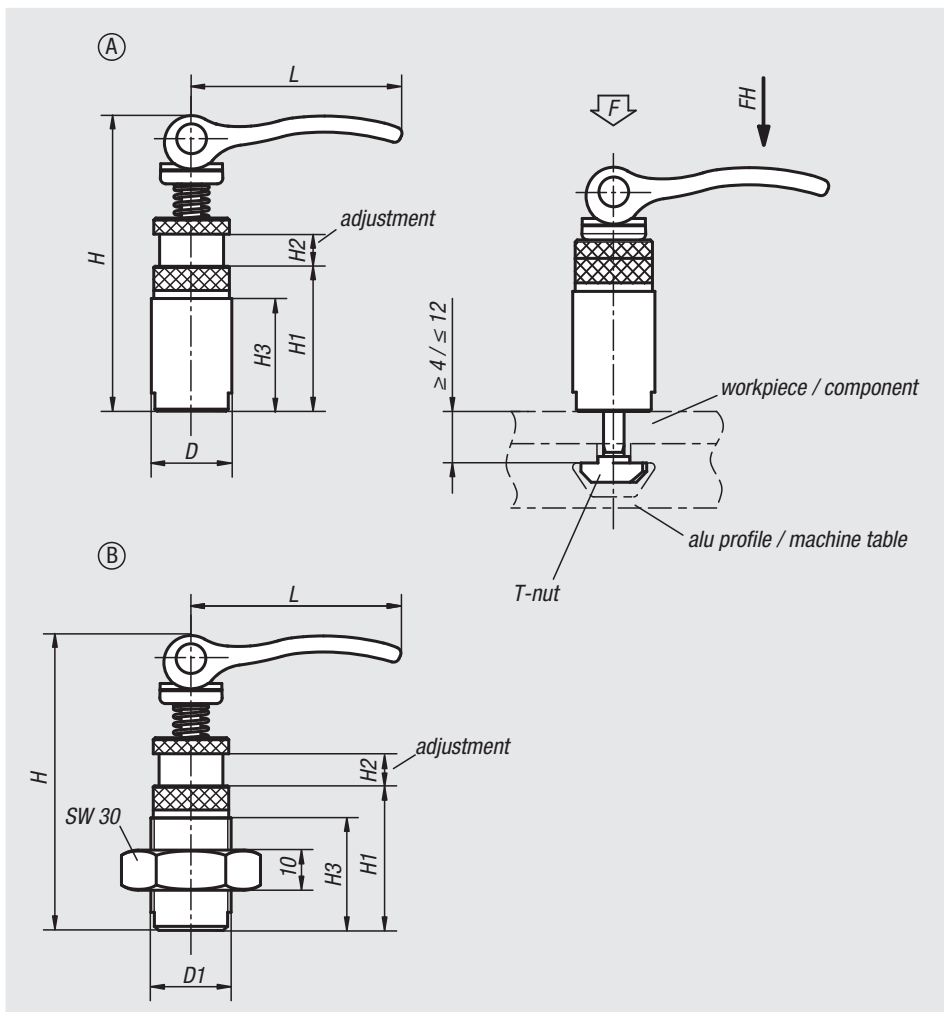
Material:
Body steel.
Cam levers cast aluminium.

Version:
Body black oxidised.
T-nut electro zinc-plated.
Cam levers black powder coated.

Sample order:
nlm 10500-00200808

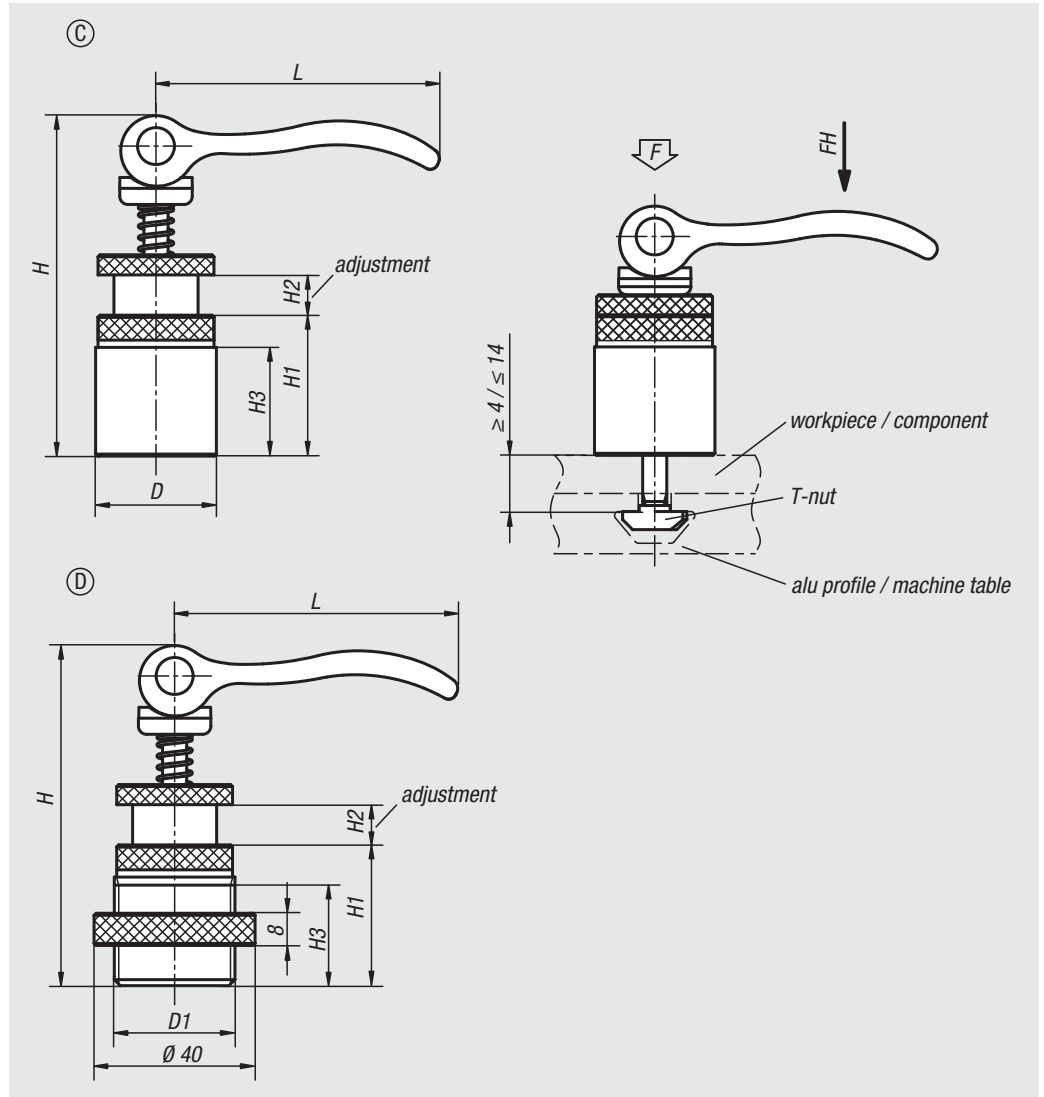
Note:
The clamp module is inserted into the T-slot from above and secured using the cam lever, no other tools required.

Advantages:
The eccentric clamp modules can be used on conventional aluminium profile systems or on T-slot tables as stops, fasteners or clamps for components and workpieces.



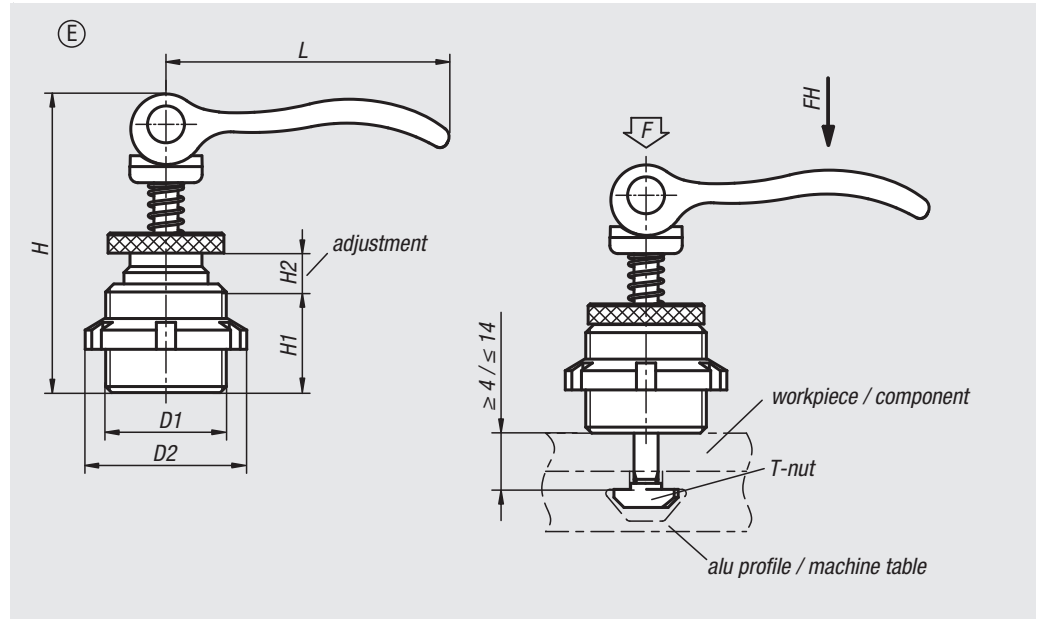
Order No.	Form	D	D1	H	H1	H2	H3	L	suitable for slot width	Clamping force F (kN)	Hand force FH N
10500-00200808	A	20	-	73,5	36	8	28	52,3	8	2,5	100
10500-10200808	B	-	M20x1,5	73,5	36	8	28	52,3	8	2,5	100

Eccentric clamp modules



Order No.	Form	D	D1	D2	H	H1	H2	H3	L	suitable for slot width	Clamping force F (kN)	Hand force FH N
10500-21150606	C	15	-	-	34	10	6	7	35	6	1,5	90
10500-21201008	C	20	-	-	44	13	8	10	52	8	2,5	100
10500-21301008	C	30	-	-	84,6	35	10	25	70,4	8	4	120
10500-31301008	D	-	M30x2	40	84,6	35	10	25	70,4	8	4	120

Eccentric clamp modules



Order No.	Form	D1	D2	H	H1	H2	L	suitable for slot width	Clamping force F (kN)	Hand force FH N
10500-41150706	E	M15X1	25	39	14	7	35	6	1,5	90
10500-41200908	E	M20X1	32	50	18	9	52	8	2,5	100

Cam clamps

for eccentric clamp modules



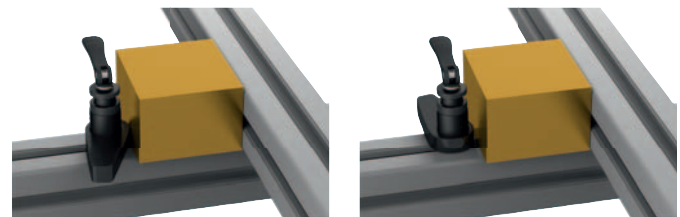
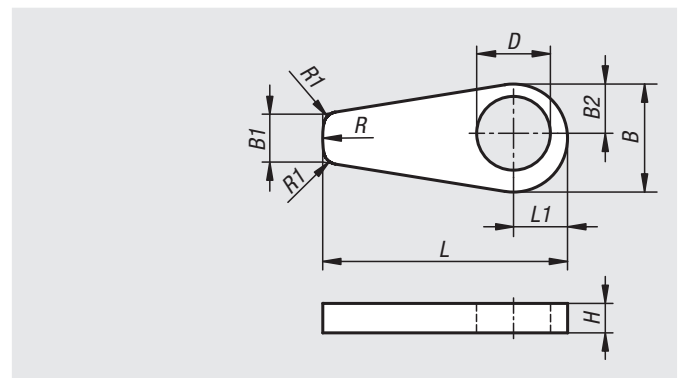
Material:
Steel or POM

Version:
black oxidised. White.

Sample order:
nlm 10505-2008

Note:
Cam clamps for indirect clamping of sensitive parts in combination with pivot bearings or Form C eccentric clamp modules.

Advantages:
Tool-less operation.



Order No.	Main material	B	B1	B2	D	H	L	L1	R	R1
10505-1506	steel	22,1	10	10,05	15,1	6	50	11,05	22	3
10505-2008	steel	29,4	13,34	13,37	20,1	8	66,67	14,7	29,4	3
10505-3010	steel	44,1	20	20,05	30,1	10	100	22,05	44	3
10505-23010	POM	44,1	20	20,05	30,1	10	100	22,05	44	3