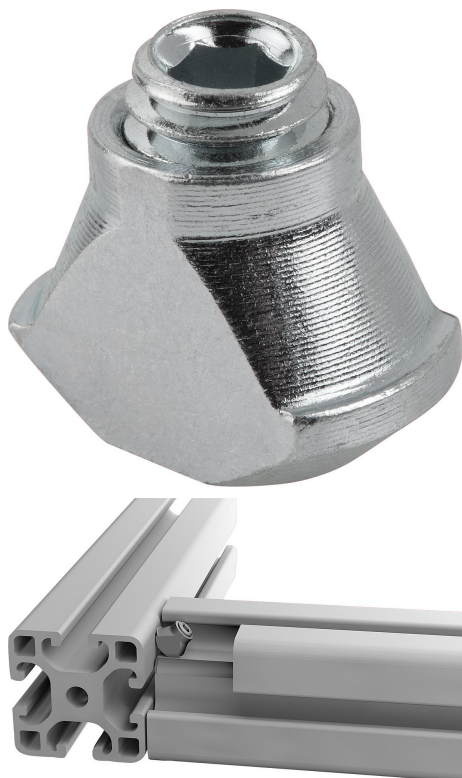


Item description/product images



Description

Material:

Steel.

Version:

Electro zinc-plated.

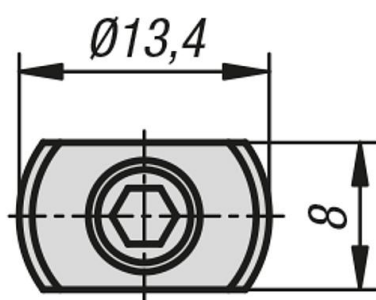
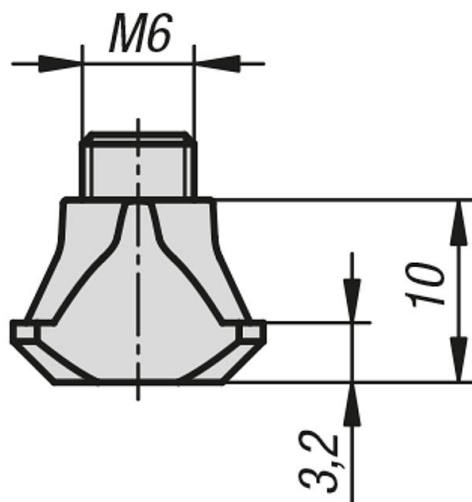
Note:

For generating electrostatic discharge (ESD). For safely equalising electrostatic charge of profiles. It is swivelled into the slot and screwed against the profiles at a 45° angle. A conductive connection is established by breaking through the oxide layer.

Note:

A potential equaliser is not an electrical connection of the protective earth (PE) system.

Drawings



Overview of items

| Order No. | Version 2 | Slot width |
|------------|-----------|------------|
| 10471-0806 | type I | 8 |