

Sensor holders



Material:
Polyamide fibreglass reinforced.

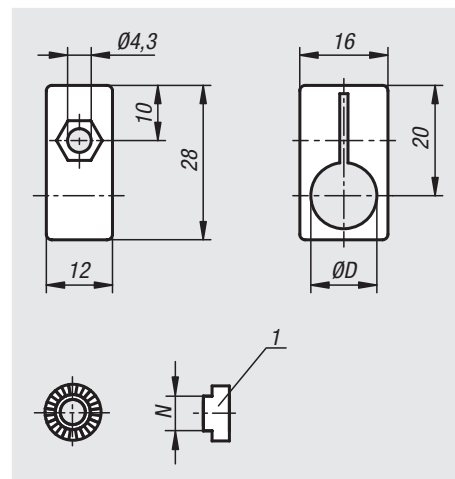
Version:
black.

Sample order:
nlm 10460-080

Note:
For fastening sensors and limit switches to aluminium profiles or panel elements.

Fastening pieces are available for various aluminium profile slot sizes. The fastening piece provides a positive rotation lock and can be adjusted in 15 increments. With no fastening piece the sensor holder can be infinitely adjusted in the angle.

Drawing reference:
1) Fastening piece



| Order No. | Item | D | N |
|-----------|-----------------|----|----|
| 10460-080 | Sensor Holder | 8 | - |
| 10460-120 | Sensor Holder | 12 | - |
| 10460-905 | Fastening Piece | - | 5 |
| 10460-906 | Fastening Piece | - | 6 |
| 10460-908 | Fastening Piece | - | 8 |
| 10460-910 | Fastening Piece | - | 10 |

01000
02000
03000
04000
05000
06000
07000
08000
09000
10000
12000