

Cable clips with T-slot key


Material:

Polyamide.
O-ring FPM 70.

Version:

black.

Sample order:

nIm 10454-1108

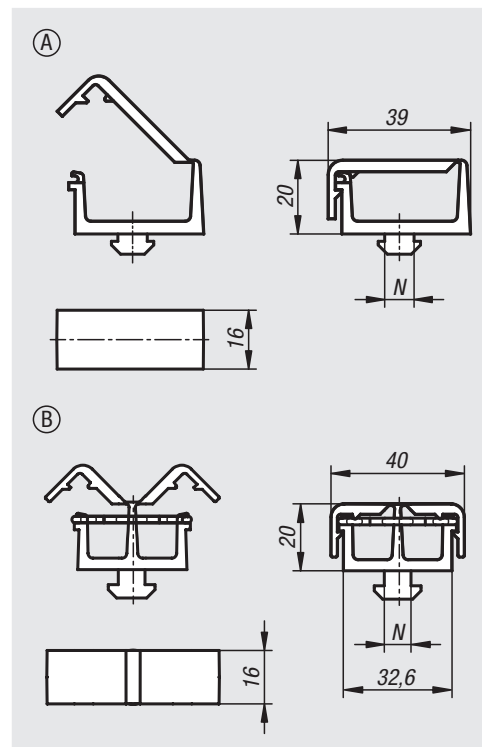
Note:

The cable clip is a fastening component for cables and hoses with a diameter up to 12 mm.

The clip is mounted by inserting the T-key into a T-slot and twisting through 90°. The cables are held in place by the stretched O-ring.

Form A: with one channel.

Form B: with two separate channels.



Order No. Form A	Order No. Form B	Version 2	Slot width	N
10454-1108	10454-2108	type i	8	8
10454-1208	10454-2208	type b	8	8
10454-1210	10454-2210	type b	10	10