

Cable tie block



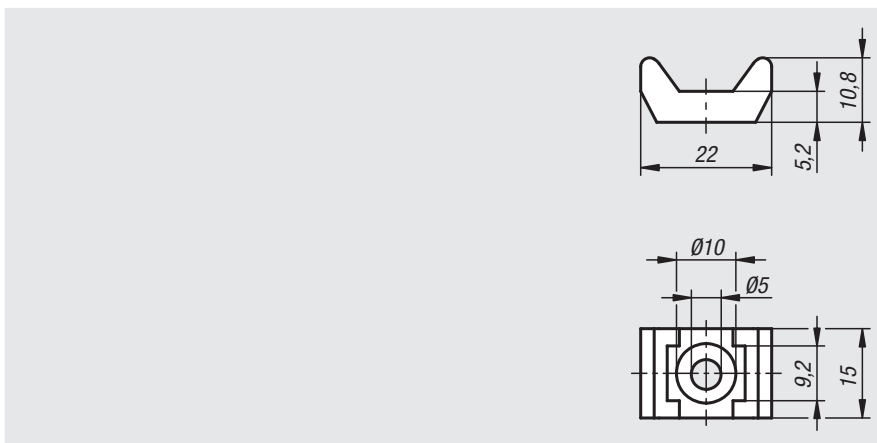
Material:
Polyamide fibreglass reinforced.

Version:
black.

Sample order:
nlm 10451-01

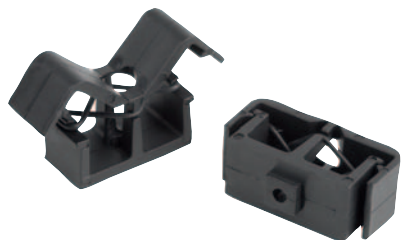
Note:
The cable tie block is a fastening component for cables and hoses. Can be mounted on panel elements or aluminium profiles (5 to 12 mm slots) with a cap screw or pan head screw and a slot key.

The cables and hoses are held in place using cable ties.



Order No.	Slot width
10451-01	5-12

Cable clips



Material:
Polyamide.
O-ring FPM 70.

Version:
black.

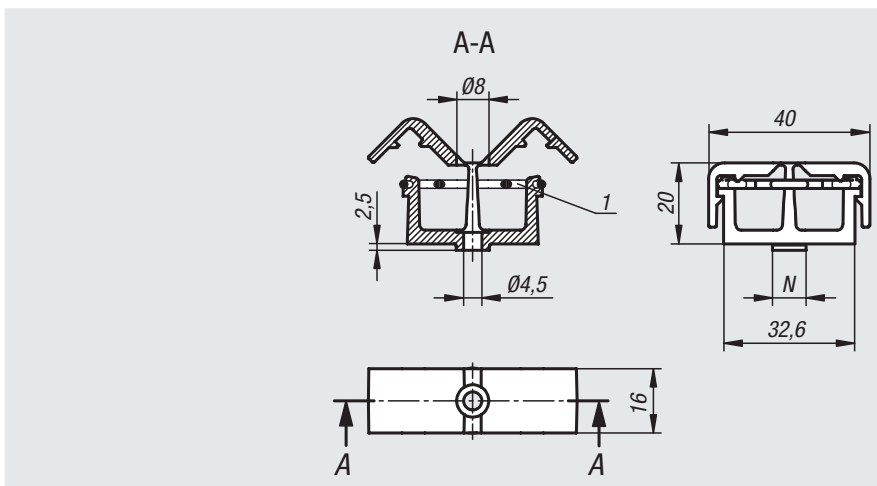
Sample order:
nlm 10453-00

Note:
The cable clip is a fastening component for cables and hoses with a diameter of up to 12 mm.

Can be mounted on panel elements or aluminium profiles (8 or 10 mm slots) with a cap screw or pan head screw and a slot key. The cables are held in place by the stretched O-ring.

With two separate channels.

Drawing reference:
1) O-ring



Order No.	Slot width	N
10453-00	-	-
10453-08	8	8
10453-10	10	10