

Plastic roller elements

for roller rails



Material:

Roller and cage polyamide, glass-bead reinforced.
Steel axis.

Version:

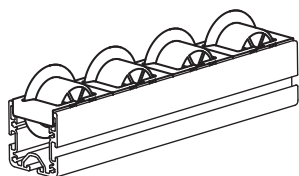
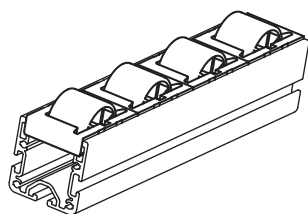
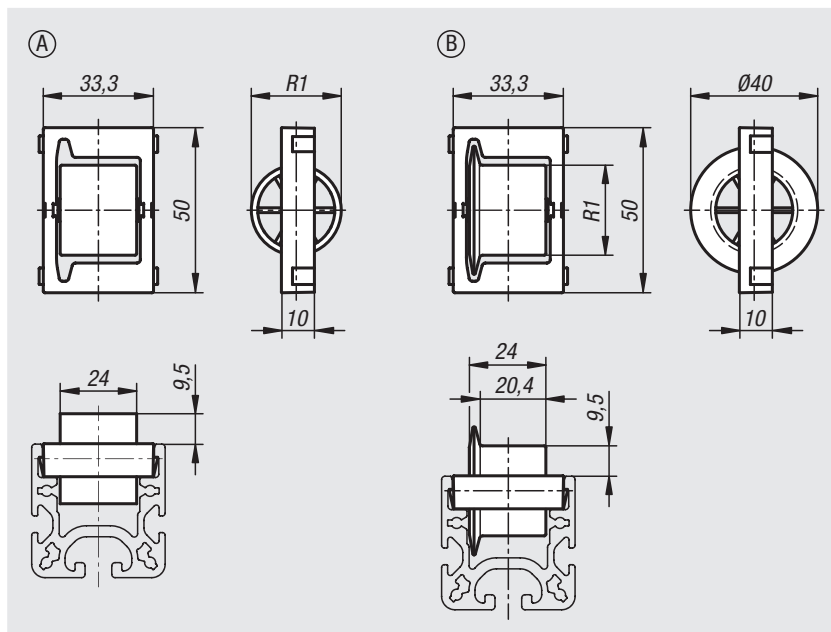
Cage black.
Roller available in different colours.

Sample order:

nIm 10448-1281

Note:

The roller elements are matched to the aluminium profiles for roller rails and can be mounted on them quickly and easily. No tools required. Suitable for aluminium profiles Type B and I.



Order No. Form A without wheel flange	Order No. Form B with wheel flange	Main colour	R1	Load capacity N
10448-1281	10448-2281	black	28	150
10448-1282	10448-2282	yellow	28	150
10448-1283	10448-2283	red	28	150
10448-1284	10448-2284	green	28	150
10448-1285	10448-2285	grey	28	150