

Plastic slide ramps

for roller rails

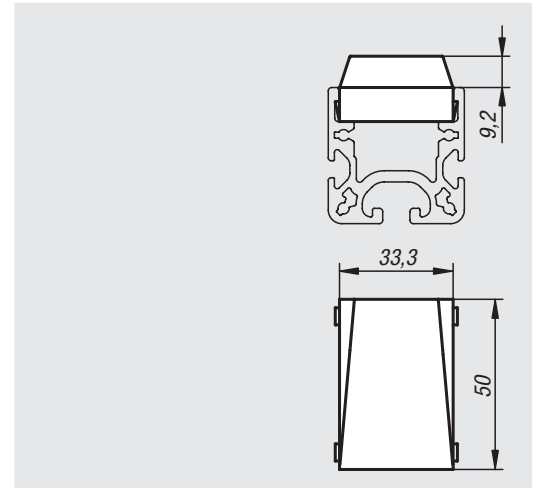
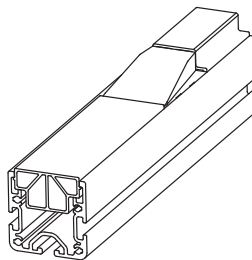
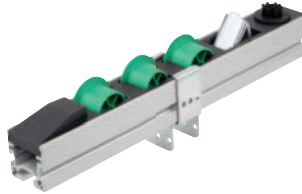


Material:
Polyamide fibreglass reinforced.

Version:
black.

Sample order:
nlm 10448-07-3350

Note:
The slide ramps ensure a soft transition between different heights of the roller tracks.



Order No.	Item
10448-07-3350	Slide ramp

Plastic slide rails

for roller rails

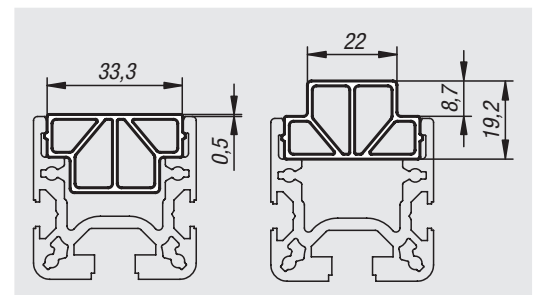
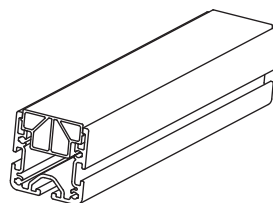


Material:
Polyethylene

Version:
black.

Sample order:
nlm 10448-08-33X2000

Note:
Low-wear slide rail with low slide friction for easy handling of goods. Slide rails can also be used as cover protection, impact protection, guide rails and as a riser plate between ball and brush elements. The slide rail can be mounted in two different heights. Suitable for aluminium profiles Type B and I.



Order No.	Length
10448-08-33X2000	2000