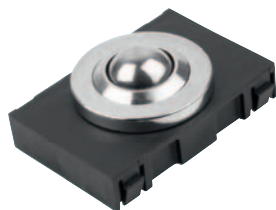


Ball transfer units

for roller rails



Material:

Ball stainless steel.
Housing steel.
Cage polyamide, carbon-fibre reinforced.

Version:

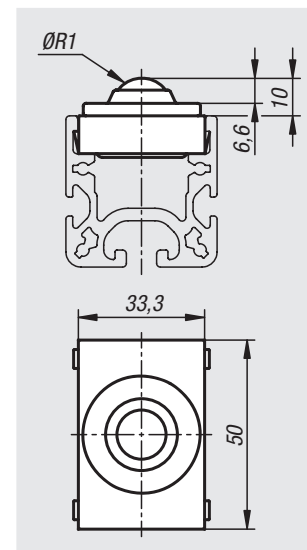
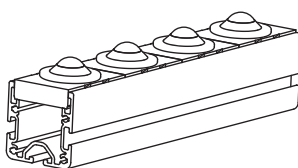
Cage black.

Sample order:

nIm 10448-03-16

Note:

These ball transfer units are matched to the aluminium profiles for roller rails and can be mounted on them quickly and easily. For flexible movements in two dimensions. With a low-wear and low-friction ball rollers. No tools required. Suitable for aluminium profiles Type B and I.



Order No.	R1	Load capacity N
10448-03-16	16	100

Brush elements, plastic

for roller rails



Material:

Polyamide fibres.
Polypropylene brush head.
Polyamide cage, carbon-fibre reinforced.

Version:

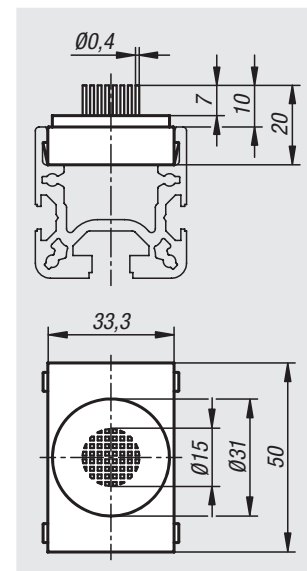
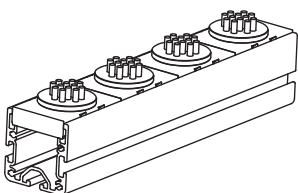
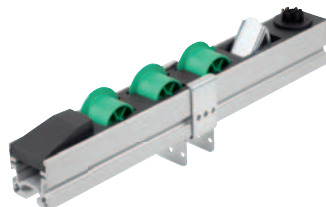
black.

Sample order:

nIm 10448-04-15

Note:

The brush element is matched to the aluminium profiles for roller rails and can be mounted on them quickly and easily. With the elastic brush fibres, scratch-sensitive objects can be moved flexibly in two dimensions. No tools required. Suitable for aluminium profiles Type B and I.



Order No.	Load capacity N
10448-04-15	100

01000
02000
03000
04000
05000
06000
07000
08000
09000
10000
12000