

## Bearing flange

for feed roller



### Material:

Bearing flanges and fastening pieces PA-GF.  
Bolts steel.

### Version:

Black.  
Bolts electro zinc-plated.

### Sample order:

nIm 10400-5008

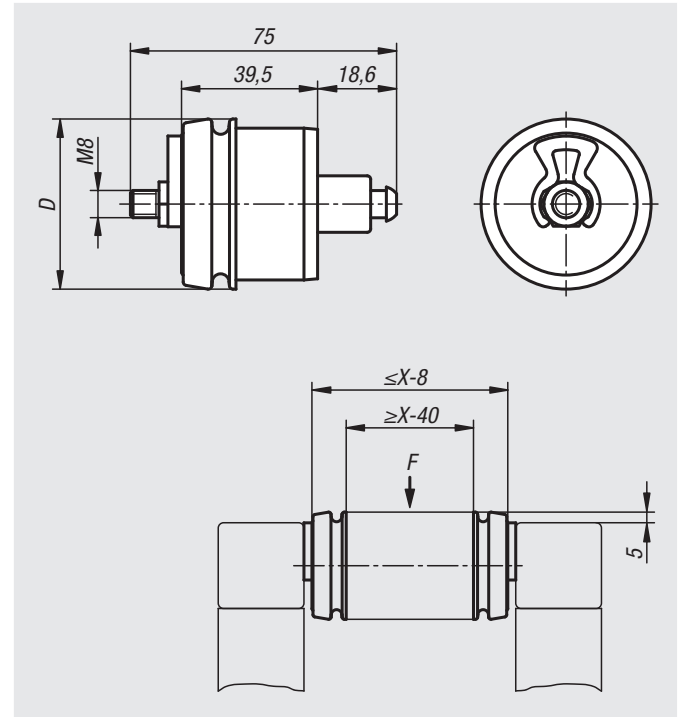
### Note:

Two bearing flanges combined with a D50 type I aluminium profile tube (10050) form a feed roller (load-bearing roller). The bearing flanges are simply pressed into the aluminium profile tube. These can be used for many conveyance tasks. The bearing flanges have ball bearings and spring-loaded fastening spigots which enable transport rollers to be retrofitted into existing structures. A roller conveyor is created when several transport rollers are mounted in series.

Two bearing flanges are required for a transport roller.

### Accessories:

Aluminium profiles D50 10050  
Slot key profile 07076



Order No.	Type	Slot width	D	F max. N	X min.	X max.
10400-5008	I	8	50	1000	160	800