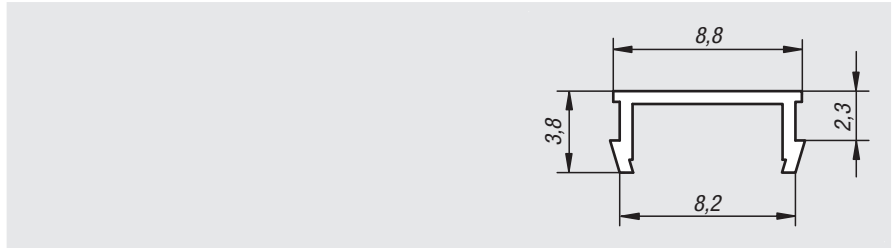


Cover profiles

Type I



Material:
PVC.

Version:
black.

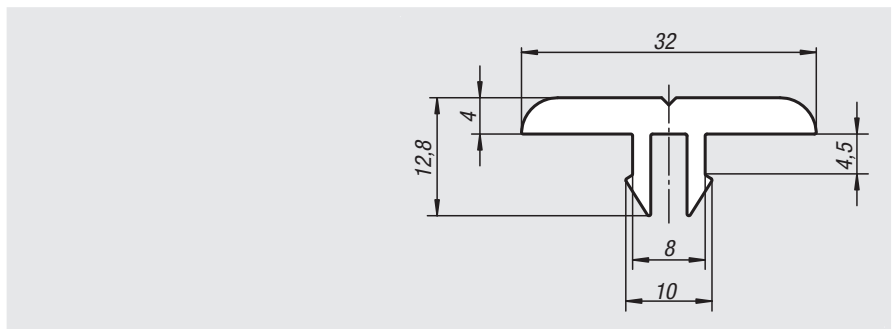
Sample order:
nlm 10320-0811

Note:
The cover profile made of flexible plastic is used as a cover for the profile slots to protect against dust and dirt.

Order No.	Type	Slot width	Length
10320-0811	I	8	2000

Slide rails

Type I



Material:
Polyethylene-HD.

Version:
black.

Sample order:
nlm 10330-081321

Note:
Low-wear slide rail with low slide friction for easy handling of goods. Slide rails can also be used as cover protection, impact protection and guide rails.

Order No.	Type	Slot width	Length
10330-081321	I	8	2000