

Fastening sets

for straps and angles



Material:

Steel.

Version:

Slot key electro zinc-plated.

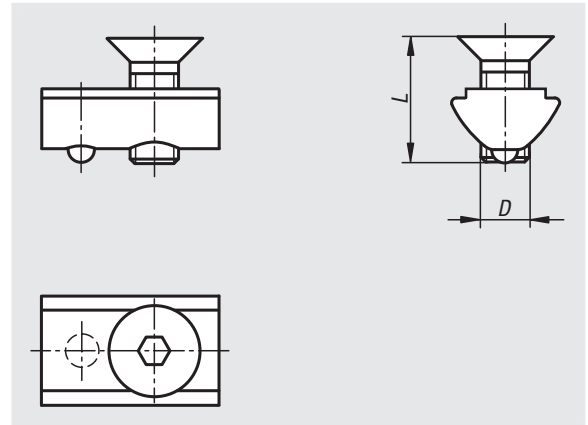
Screw electro zinc-plated, black.

Sample order:

nIm 10244-06

Note:

Consists of two DIN 7991 countersunk screws and two slot nuts.



Order No.	Version 1	Version 2	Slot width	D	L
10244-06	type I	slot key with step	6	M6	10
10244-08	type I	slot key with step	8	M8	14