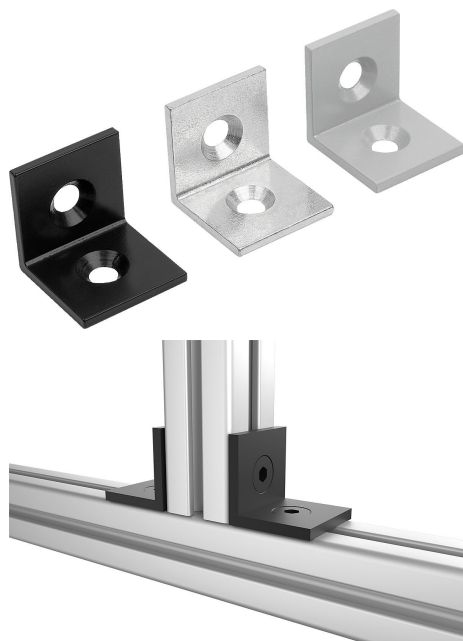


Item description/product images



Description

Material:

Steel.

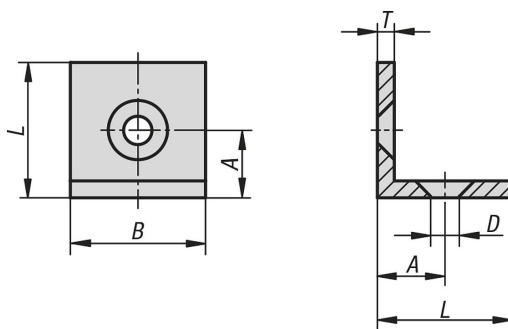
Version:

black, powder coated aluminium tone or electro zinc-plated.

Note:

Universal fastening element for a rigid connection and linkage of profiles, panel elements or lightweight shelving.

Drawings



Overview of items

Order No.	Type	Main colour	Surface finish body	A	B	D for screw	L	T	Slot width
10242-061	I	black	powder-coated	15	30	M6	30	3	6
10242-062	I	aluminium tone	powder-coated	15	30	M6	30	3	6
10242-063	I	silver	galvanised	15	30	M6	30	3	6
10242-081	I	black	powder-coated	20	40	M8	40	5	8/10
10242-082	I	aluminium tone	powder-coated	20	40	M8	40	5	8/10
10242-083	I	silver	galvanised	20	40	M8	40	5	8/10