

Straps

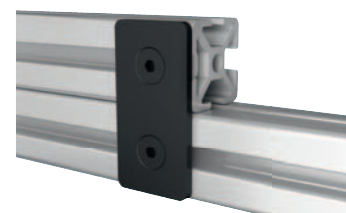
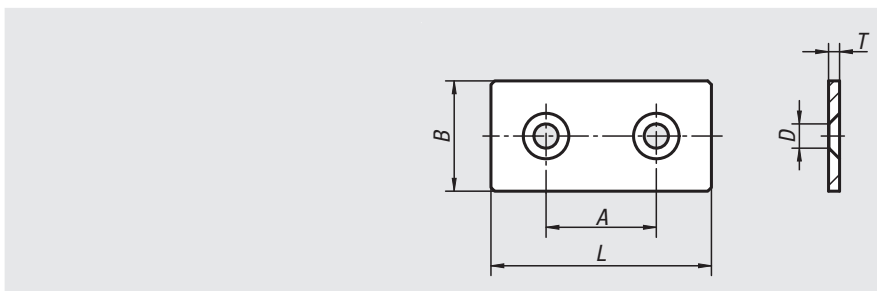


Material:
Steel.

Version:
black powder-coated.

Sample order:
nlm 10240-061

Note:
Universal fastening element for a rigid connection and linkage of profiles, panel elements or lightweight shelving.



Order No.	Type	Slot width	A	B	D for screw	L	T
10240-061	I	6	30	30	M6	60	3
10240-081	B & I	8/10	40	40	M8	80	5
10240-101	B	8/10	45	45	M8	90	5

Angles

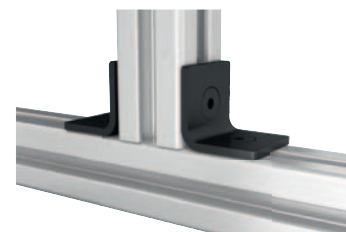
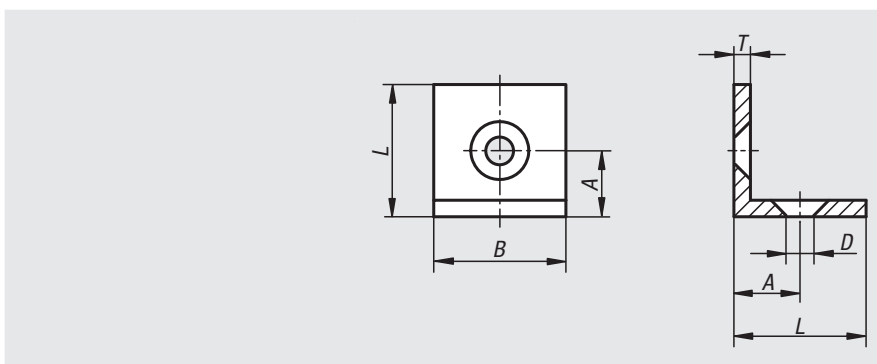


Material:
Steel.

Version:
black powder-coated.

Sample order:
nlm 10242-061

Note:
Universal fastening element for a rigid connection and linkage of profiles, panel elements or lightweight shelving.



Order No.	Type	Slot width	A	B	D for screw	L	T
10242-061	I	6	15	30	M6	30	3
10242-081	I	8/10	20	40	M8	40	5