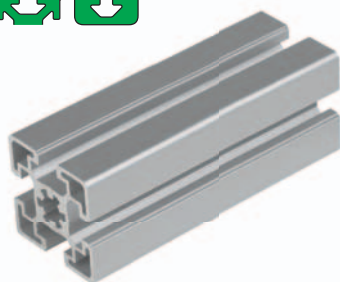


Aluminium profiles 45x45

Type B

**Material:**

Aluminium EN AW-6063 T66 (AlMgSi 0.5 F25)

Version:

Artificially aged, natural colour anodised.

Sample order:

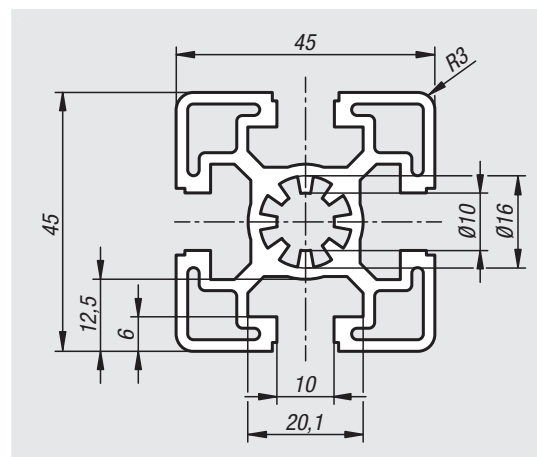
nlm 10160-104545X*

* Include length only in full mm increments.

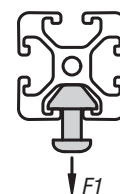
Maximum available length 6000 mm.

Note:

Aluminium profile for general constructions.

**On request:**

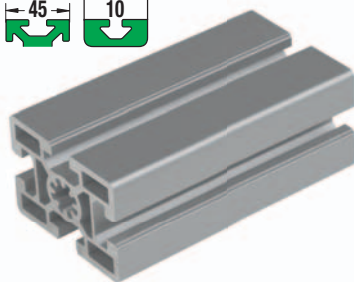
Mitre cuts 15°, 30° and 45°.



Order No.	Slot width	Profile	Ix cm ⁴	Iy cm ⁴	Wx cm ³	Wy cm ³	Profile area cm ²	F1 max. kN	Approx. weight kg/m
10160-104545X****	10	45x45	13,94	13,94	6,91	6,91	7,5	12	2,03

Aluminium profiles 45x60

Type B

**Material:**

Aluminium EN AW-6063 T66 (AlMgSi 0.5 F25)

Version:

Artificially aged, natural colour anodised.

Sample order:

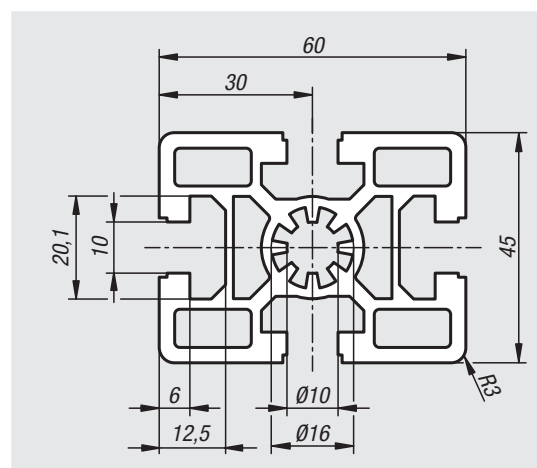
nlm 10160-104560X*

* Include length only in full mm increments.

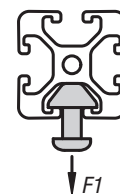
Maximum available length 6000 mm.

Note:

Aluminium profile for general constructions.

**On request:**

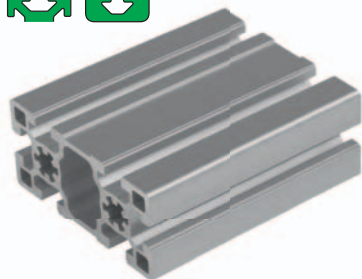
Mitre cuts 15°, 30° and 45°.



Order No.	Slot width	Profile	Ix cm ⁴	Iy cm ⁴	Wx cm ³	Wy cm ³	Profile area cm ²	F1 max. kN	Approx. weight kg/m
10160-104560X****	10	45x60	37,55	22,66	12,52	10,07	11,14	12	3,01

Aluminium profiles 45x90

Type B

**Material:**

Aluminium EN AW-6063 T66 (AlMgSi 0.5 F25)

Version:

Artificially aged, natural colour anodised.

Sample order:

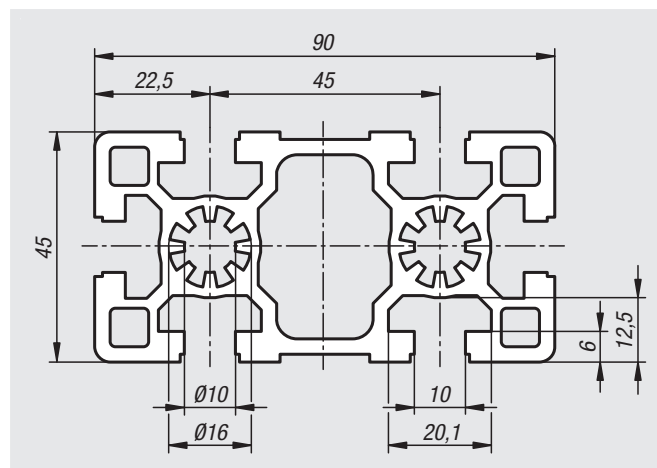
nlm 10160-104590X*

* Include length only in full mm increments.

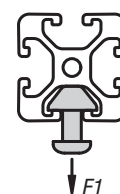
Maximum available length 6000 mm.

Note:

Aluminium profile for general constructions.

**On request:**

Mitre cuts 15°, 30° and 45°.



Order No.	Slot width	Profile	Ix cm ⁴	Iy cm ⁴	Wx cm ³	Wy cm ³	Profile area cm ²	F1 max. kN	Approx. weight kg/m
10160-104590X****	10	45x90	124,05	32,25	27,57	14,33	15,24	12	4,12

Aluminium profiles 90x90

Type B

**Material:**

Aluminium EN AW-6063 T66 (AlMgSi 0.5 F25)

Version:

Artificially aged, natural colour anodised.

Sample order:

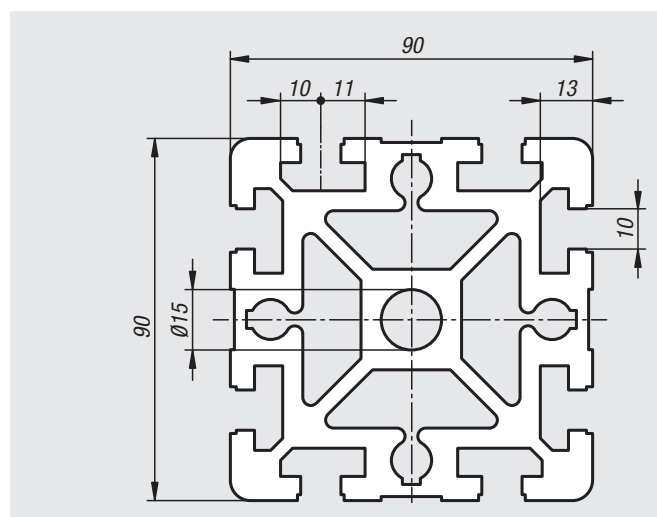
nlm 10160-109090X*

* Include length only in full mm increments.

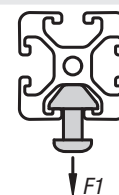
Maximum available length 6000 mm.

Note:

Aluminium profile for general constructions.

**On request:**

Mitre cuts 15°, 30° and 45°.



Order No.	Slot width	Profile	Ix cm ⁴	Iy cm ⁴	Wx cm ³	Wy cm ³	Profile area cm ²	F1 max. kN	Approx. weight kg/m
10160-109090X****	10	90x90	301,96	301,96	67,07	67,07	38,93	18	10,51