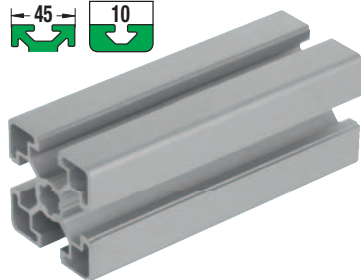


Aluminium profiles 45x45 light

Type B



Material:

Aluminium EN AW-6063 T66 (AlMgSi 0.5 F25)

Version:

Artificially aged, natural colour anodised.

Sample order:

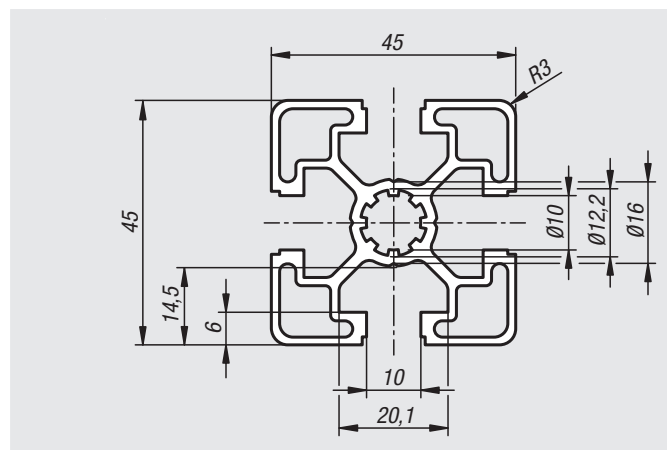
nIm 10157-104545X*

* Include length only in full mm increments.

Maximum available length 6000 mm.

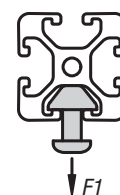
Note:

Lightweight aluminium profile for weight-optimised constructions.



On request:

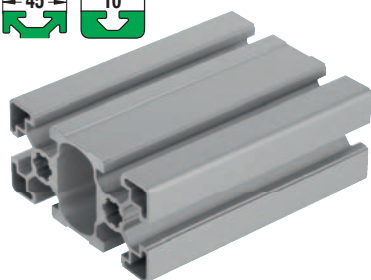
Mitre cuts 15°, 30° and 45°.



Order No.	Slot width	Profile	Ix cm ⁴	Iy cm ⁴	Wx cm ³	Wy cm ³	Profile area cm ²	F1 max. kN	Approx. weight kg/m
10157-104545X****	10	45x45	11	11	4,89	4,89	5,73	7	1,55

Aluminium profiles 45x90 light

Type B



Material:

Aluminium EN AW-6063 T66 (AlMgSi 0.5 F25)

Version:

Artificially aged, natural colour anodised.

Sample order:

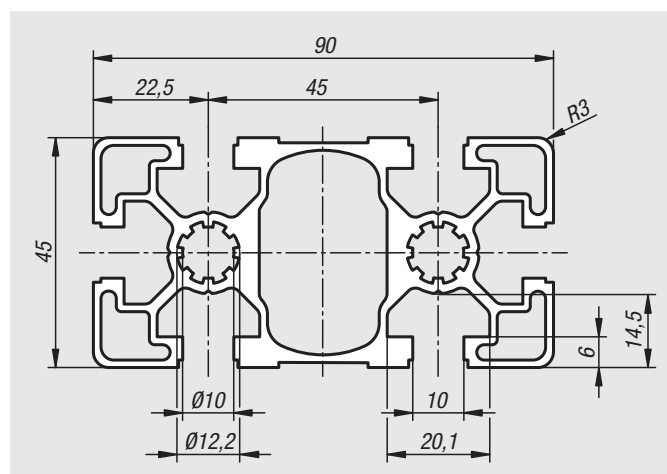
nIm 10157-104590X*

* Include length only in full mm increments.

Maximum available length 6000 mm.

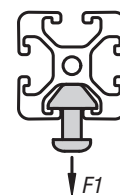
Note:

Lightweight aluminium profile for weight-optimised constructions.



On request:

Mitre cuts 15°, 30° and 45°.



Order No.	Slot width	Profile	Ix cm ⁴	Iy cm ⁴	Wx cm ³	Wy cm ³	Profile area cm ²	F1 max. kN	Approx. weight kg/m
10157-104590X****	10	45x90	81,82	23,53	18,18	1,46	11,29	7	3,05

Aluminium profiles 90x90 light

Type B



Material:

Aluminium EN AW-6063 T66 (AlMgSi 0.5 F25)

Version:

Artificially aged, natural colour anodised.

Sample order:

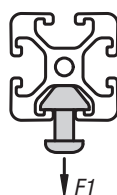
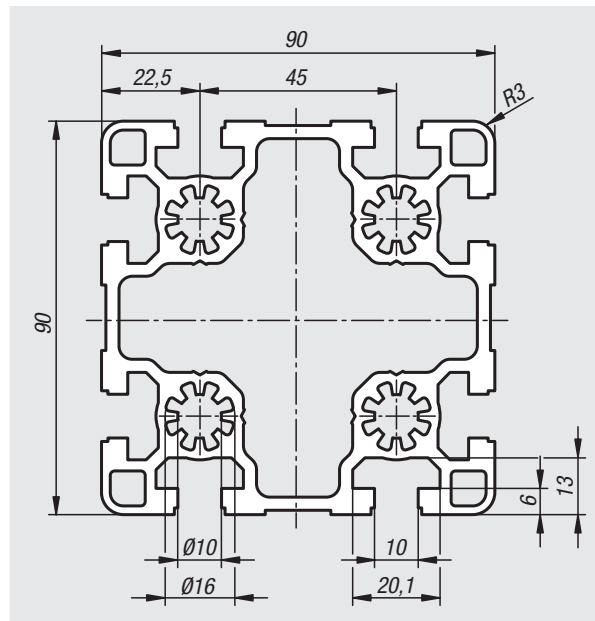
nIm 10157-109090X*

* Include length only in full mm increments.

Maximum available length 6000 mm.

Note:

Lightweight aluminium profile for weight-optimised constructions.

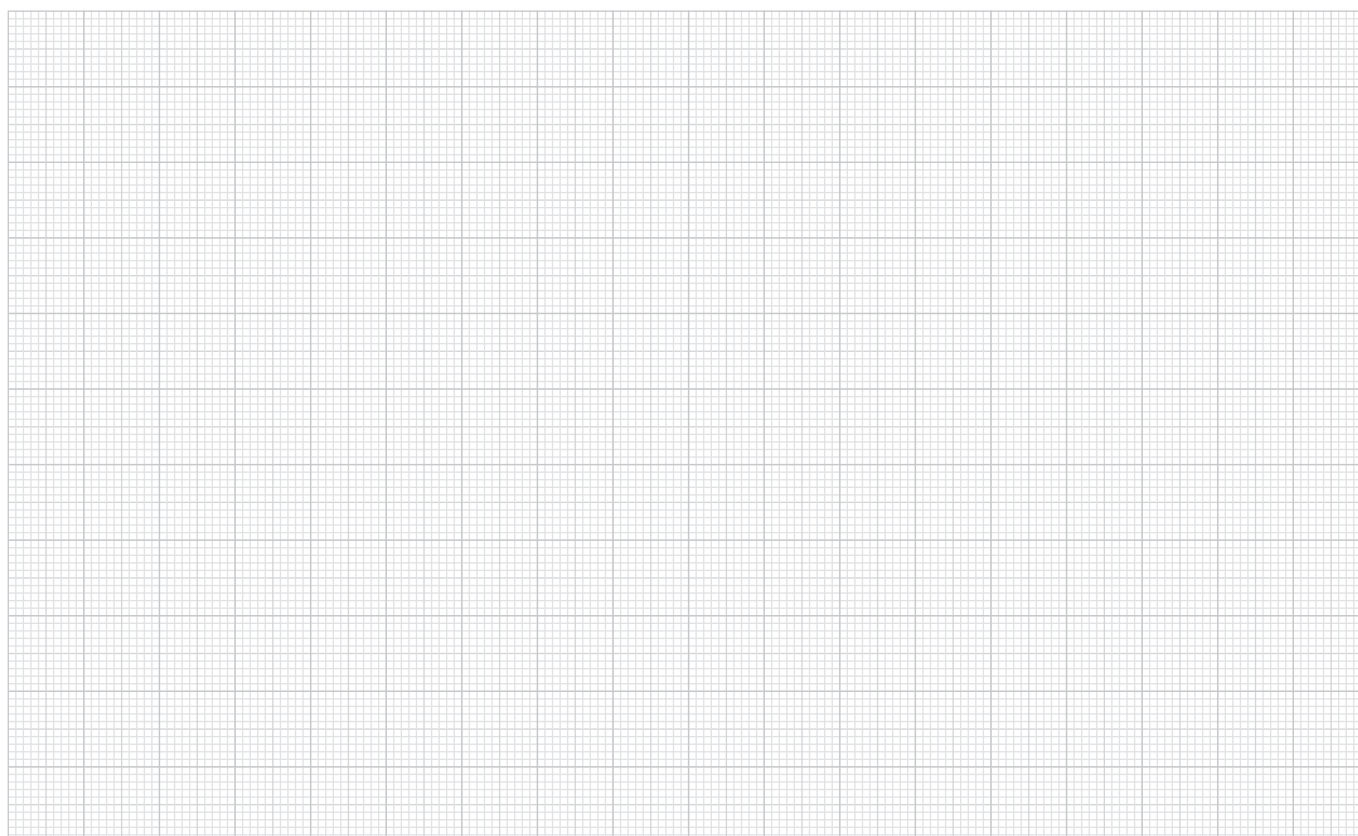


On request:

Mitre cuts 15°, 30° and 45°.

Order No.	Slot width	Profile	Ix cm ⁴	Iy cm ⁴	Wx cm ³	Wy cm ³	Profile area cm ²	F1 max. kN	Approx. weight kg/m
10157-109090X****	10	90x90	210,5	210,5	46,78	46,78	23,46	12	6,34

Notes



01000
02000
03000
04000
05000
06000
07000
08000
09000
10000
12000