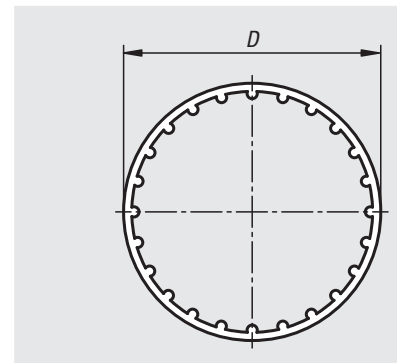


Aluminium profiles D50

Type I, tube



Material:

Aluminium EN AW-6063 T66 (AlMgSi 0.5 F25)

Version:

Artificially aged, natural colour anodised.

Sample order:

nIm 10050-50x1000

Note:

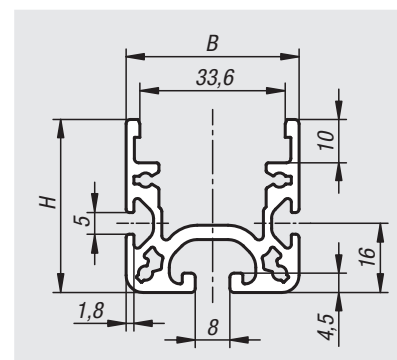
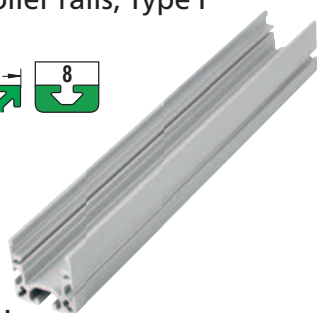
Aluminium profile for general structures. The round tube, also referred to as a profile tube forms a feed roller when in combination with bearing flanges (10400).



Order No.	Profile	D	L	I _x cm ⁴	I _y cm ⁴	W _x cm ³	W _y cm ³	Approx. weight kg/m
10050-50X1000	50	50	1000	8,16	8,16	3,26	3,26	0,760

Aluminium profiles 40x40

for roller rails, Type I



Material:

Aluminium EN AW-6063 T66 (AlMgSi 0.5 F25)

Version:

Artificially aged, natural colour anodised.

Sample order:

nIm 10051-084040X*

* Include length only in full mm increments.

Maximum available length 6000 mm.

Note:

The aluminium profile is matched to the roller elements. As a result, roller rails and roller tracks can be realised. The different inserts permit modular and flexible setup.

Order No.	Slot width	Profile	B	H	I _x cm ⁴	I _y cm ⁴	W _x cm ³	W _y cm ³	Profile area cm ²	Approx. weight kg/m
10051-084040X****	8	40x40	40	40	5,8	10,38	2,3	5,19	4,97	1,34