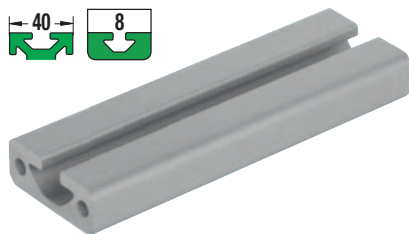


## Aluminium profiles 16x40

Type I

**Material:**

Aluminium EN AW-6063 T66 (AlMgSi 0.5 F25)

**Version:**

Artificially aged, natural colour anodised.

**Sample order:**

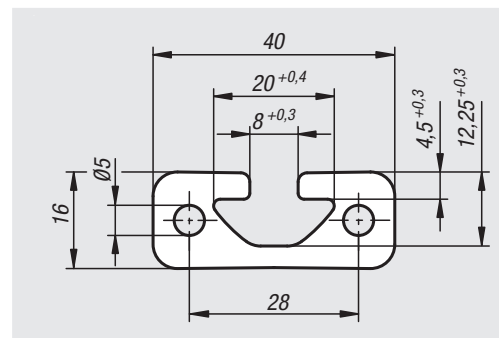
nlm 10048-081640X\*

\* Include length only in full mm increments.

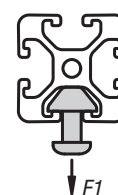
Maximum available length 6000 mm.

**Note:**

Aluminium profile for general constructions.

**On request:**

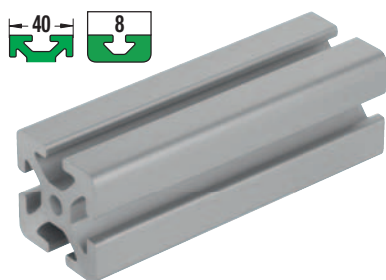
Mitre cuts 15°, 30° and 45°.



Order No.	Slot width	Profile	I <sub>x</sub> cm <sup>4</sup>	I <sub>y</sub> cm <sup>4</sup>	W <sub>x</sub> cm <sup>3</sup>	W <sub>y</sub> cm <sup>3</sup>	Profile area cm <sup>2</sup>	F1 max. kN	Approx. weight kg/m
10048-081640X****	8	16x40	1,06	6,75	1,25	3,37	4,15	5	1,12

## Aluminium profiles 40x40

Type I

**Material:**

Aluminium EN AW-6063 T66 (AlMgSi 0.5 F25)

**Version:**

Artificially aged, natural colour anodised.

**Sample order:**

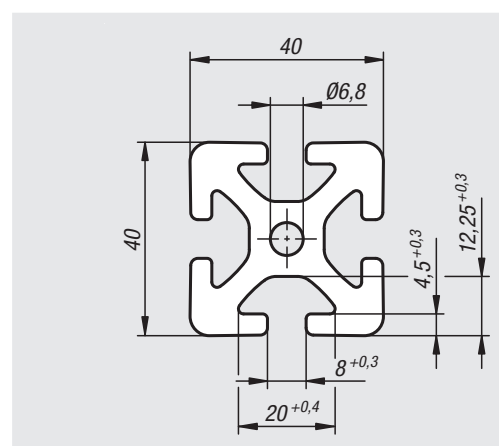
nlm 10048-084040X\*

\* Include length only in full mm increments.

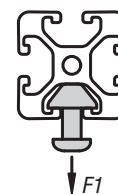
Maximum available length 6000 mm.

**Note:**

Aluminium profile for general constructions.

**On request:**

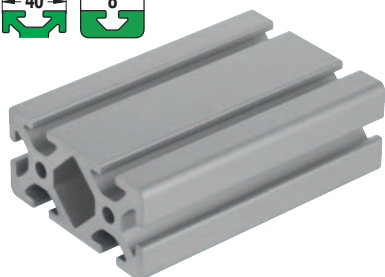
Mitre cuts 15°, 30° and 45°.



Order No.	Slot width	Profile	I <sub>x</sub> cm <sup>4</sup>	I <sub>y</sub> cm <sup>4</sup>	W <sub>x</sub> cm <sup>3</sup>	W <sub>y</sub> cm <sup>3</sup>	Profile area cm <sup>2</sup>	F1 max. kN	Approx. weight kg/m
10048-084040X****	8	40x40	13,85	13,85	6,95	6,95	9,05	2,5	2,45

## Aluminium profiles 40x80

Type I

**Material:**

Aluminium EN AW-6063 T66 (AlMgSi 0.5 F25)

**Version:**

Artificially aged, natural colour anodised.

**Sample order:**

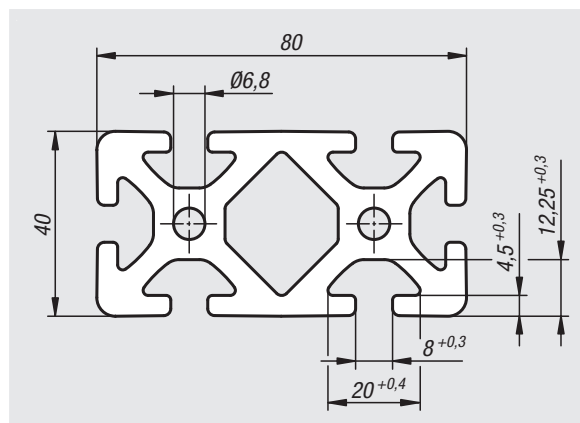
nlm 10048-084080X\*

\* Include length only in full mm increments.

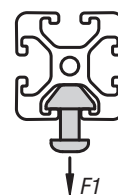
Maximum available length 6000 mm.

**Note:**

Aluminium profile for general constructions.

**On request:**

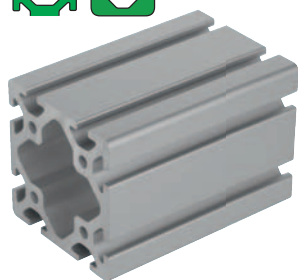
Mitre cuts 15°, 30° and 45°.



Order No.	Slot width	Profile	Ix cm <sup>4</sup>	Iy cm <sup>4</sup>	Wx cm <sup>3</sup>	Wy cm <sup>3</sup>	Profile area cm <sup>2</sup>	F1 max. kN	Approx. weight kg/m
10048-084080X****	8	40x80	26,7	101,02	13,39	25,15	16,52	5	4,51

## Aluminium profiles 80x80

Type I

**Material:**

Aluminium EN AW-6063 T66 (AlMgSi 0.5 F25)

**Version:**

Artificially aged, natural colour anodised.

**Sample order:**

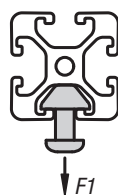
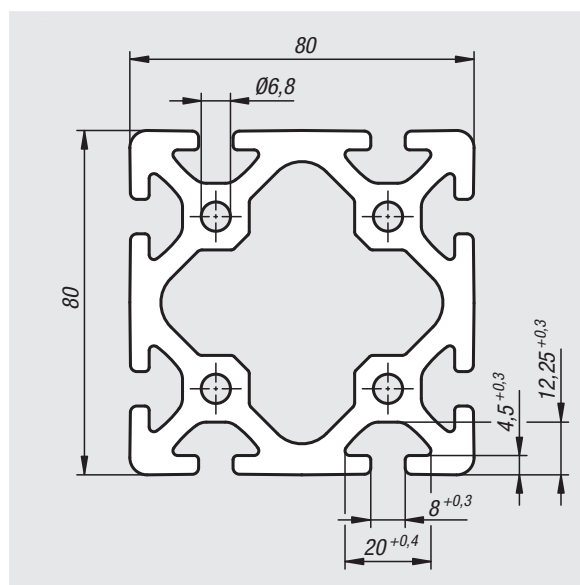
nlm 10048-088080X\*

\* Include length only in full mm increments.

Maximum available length 6000 mm.

**Note:**

Aluminium profile for general constructions.

**On request:**

Mitre cuts 15°, 30° and 45°.

Order No.	Slot width	Profile	Ix cm <sup>4</sup>	Iy cm <sup>4</sup>	Wx cm <sup>3</sup>	Wy cm <sup>3</sup>	Profile area cm <sup>2</sup>	F1 max. kN	Approx. weight kg/m
10048-088080X****	8	80x80	187,8	187,8	46,93	46,93	26,65	5	7,20