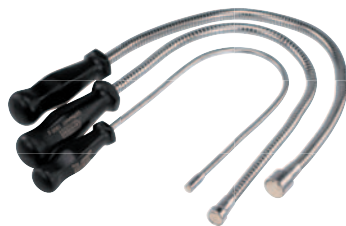


Magnetic Pickup


Version:

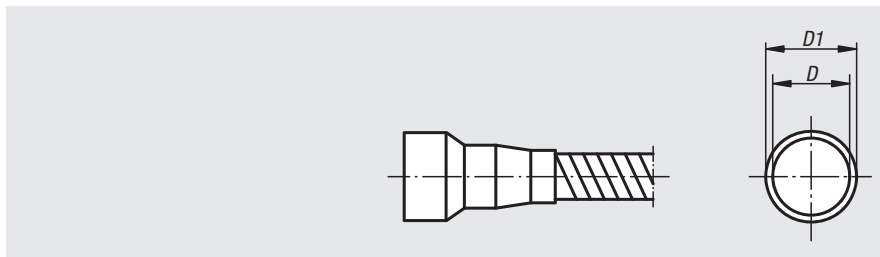
Strong permanent magnet with flexible brass tube and black plastic grip. Surface chromed.

Sample order:

nIm 09150-04

Note:

Pickup magnets are primarily used for removing or searching for steel parts in inaccessible places.



Order No.	Size	D	D1	total length mm	Magnetic force N
09150-01	1	6	8	450	5
09150-02	2	10	12	450	10
09150-03	3	13	15	520	18
09150-04	4	17	19	520	30

Magnetic base, permanent


Version:

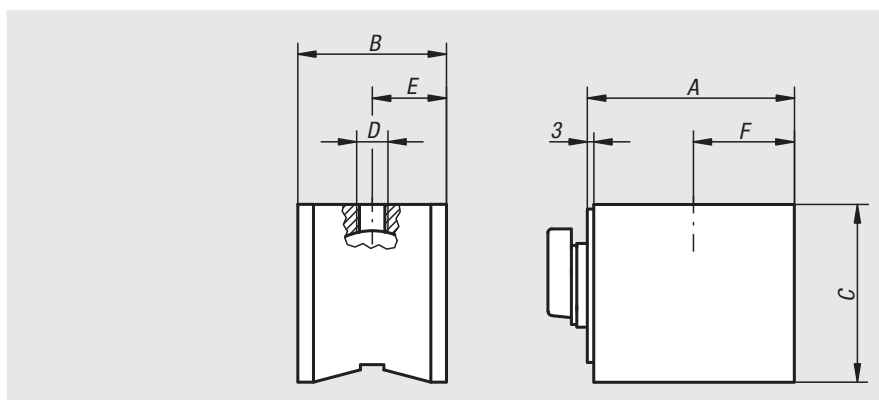
Permanent magnetic base with high magnetic force. On/Off switch. Surface black.

Sample order:

nIm 09210-03

Note:

Permanent magnetic bases are used in fixtures as retaining magnets, as gauge stands etc.



Order No.	A	B	C	D	E	F	Magnetic force N
09210-01	61	50	55	M8 x 8	25	29	600
09210-02	76	50	55	M8 x 8	25	36,5	900
09210-03	76	50	55	M10 x 8	25	36,5	900