

Magnets deep pot with threaded pin

NdFeB, rubber magnetic face



Material:

Housing stainless steel 1.4104.
Magnetic core NdFeB (neodymium).
Magnetic face rubberised (TPE).

Sample order:

nIm 09117-1306

Note:

Deep pot magnet with external thread, shielded system.
With rubber magnetic face to protect sensitive surfaces.
The rubber face increases the coefficient of friction resulting in high lateral frictional forces.

Temperature range:

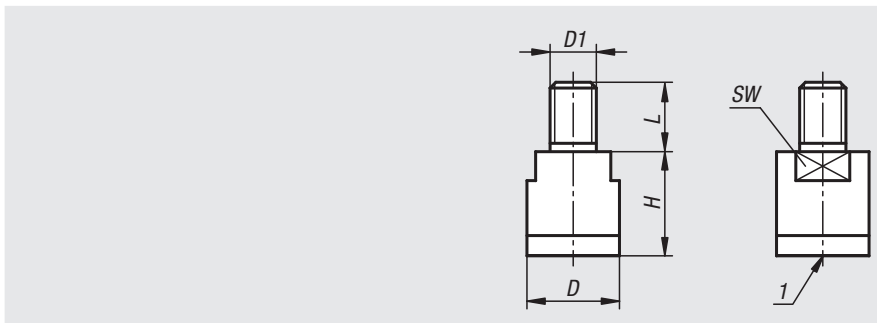
max. 80°C.

Assembly:

The deep pot magnets with rubberised magnetic face can be used as a magnetic stop system.

Drawing reference:

1) magnetic face



Order No.	D	D1	H	L	SW	Magnetic force N
09117-1306	13	M6	16	10	11	15
09117-1608	16	M8	18	12	13	23
09117-2010	20	M10	20	14	17	46

Magnets shallow pot with through hole

NdFeB, with rubber protective jacket



Material:

Housing, steel.
Magnetic core NdFeB (neodym).
Protective rubber jacket, synthetic rubber.

Version:

Housing, electro zinc-plated.
Black protective rubber jacket.

Sample order:

nIm 09118-01

Note:

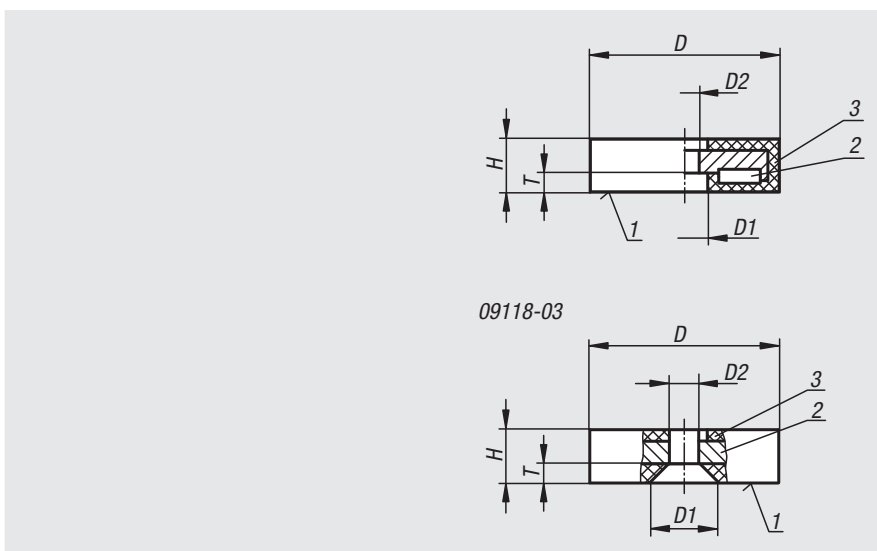
Shallow pot magnets, shielded system. With rubber protective jacket for protecting sensitive surfaces. The coefficient of friction is increased by the rubber jacket so that high lateral friction is achieved.

Temperature range:

max. 60°C.

Drawing reference:

1) magnetic face
2) magnet
3) rubber



Order No.	D	D1	D2	H	T	Magnetic force N
09118-01	22	8,2	4	6	3,5	35
09118-02	31	9	6	6	3,5	75
09118-03	43	12,8	7,5	6	4,2	85
09118-04	57	25,3	8	7,6	3,3	175
09118-05	66	22	5,5	8,5	3,2	210