

Magnets with internal thread

NdFeB, rectangular, with rubber protective jacket



Material:

Housing steel.
Magnetic core NdFeB (neodymium).
Rubber protective jacket TPE.

Version:

Housing, electro zinc-plated.
Black protective rubber jacket.

Sample order:

nIm 09112-10-14331

Note:

Magnet with internal thread. Shielded system. With rubber protective jacket for protecting sensitive surfaces. The coefficient of friction is increased by the rubber jacket so that high lateral friction is achieved.

Temperature range:

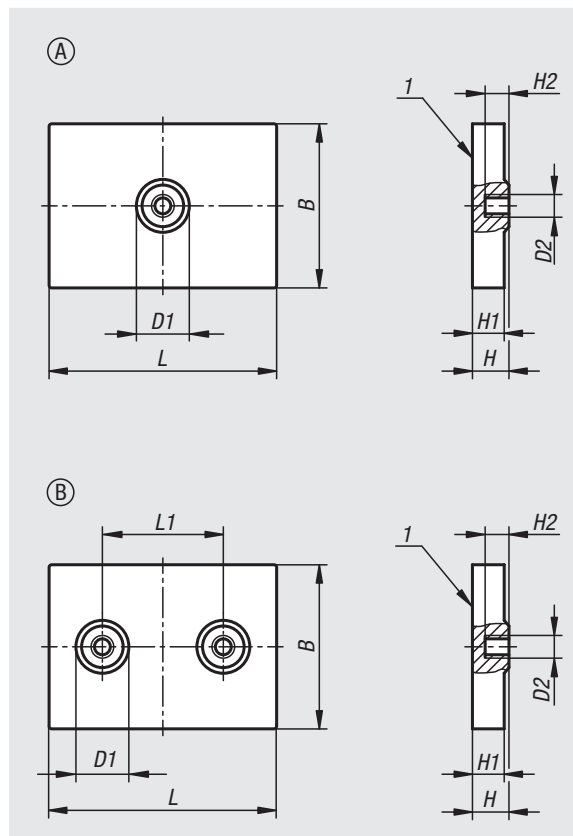
max. 60°C.

Assembly:

Optimum hold on thin plate with sensitive surfaces.

Drawing reference:

1) magnetic face



Order No.	Form	B	D1	D2	H	H1	H2	L	L1	Magnetic force N
09112-10-14331	A	31	10	M4	6,9	6	4,5	43	-	105
09112-10-24331	B	31	10	M4	6,9	6	4,5	43	25	146

01000
02000
03000
04000
05000
06000
07000
08000
09000
10000
12000