

Protective rubber caps

for shallow pot magnets



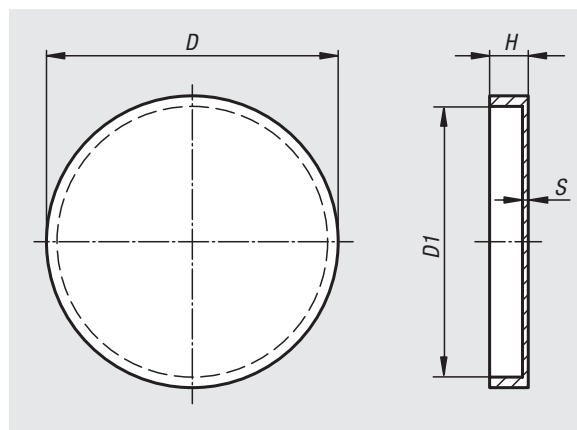
Material:
Synthetic rubber.

Version:
black.

Sample order:
nlm 09110-50

Note:
To protect sensitive surfaces. The protective rubber cap slips over the magnetic face of shallow pot magnets. The shear force required to move the magnet is doubled and achieves almost the original holding force of the magnet.
The protective rubber caps fit all shallow pot magnets with diameter 50, 63 and 80 mm.

Temperature range:
max. 60°C.



Order No.	D	D1	H	S
09110-50	52	50	6	0,5
09110-63	65	63	8	0,5
09110-80	83	80	11	0,5

Magnets shallow pot with internal thread

NdFeB, with rubber protective jacket



Material:
Housing, steel.
Magnetic core NdFeB (neodym).
Protective rubber jacket, synthetic rubber.

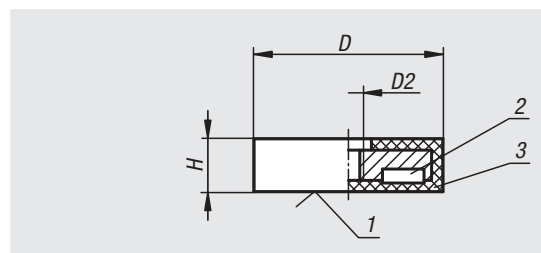
Version:
Housing, electro zinc-plated.
Black protective rubber jacket.

Sample order:
nlm 09112-01

Note:
Magnet with internal thread. Shielded system. With rubber protective jacket for protecting sensitive surfaces. The coefficient of friction is increased by the rubber jacket so that high lateral friction is achieved.

Temperature range:
max. 60°C.

Drawing reference:
1) magnetic face
2) magnet
3) rubber



Order No.	D	D2	H	Magnetic force N
09112-00	18	M4	6	25
09112-01	22	M4	6	35
09112-02	31	M5	6	75
09112-03	43	M4	6	85
09112-04	66	M6	8,5	180
09112-05	88	M6	8	420