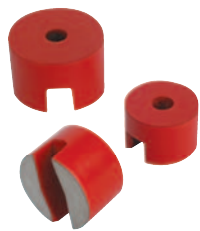


Magnets button



Material:
Magnetic core AlNiCo.

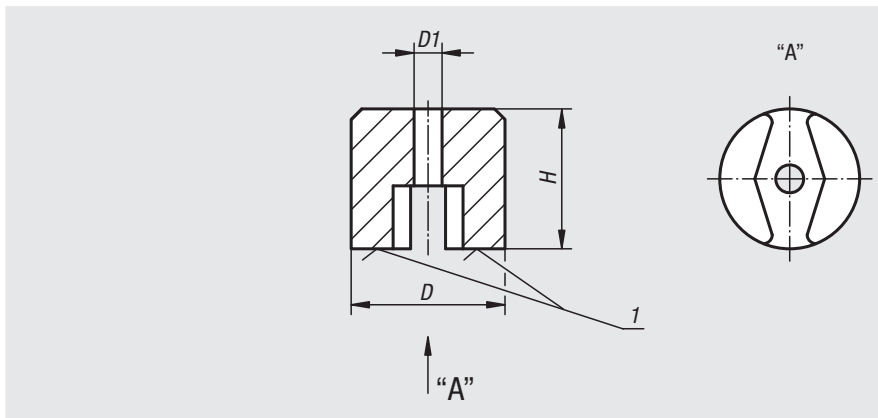
Version:
painted red.

Sample order:
nlm 09098-01

Note:
Split attractive surface with through hole. Non-shielded system. Button magnets are used in laboratories, inspection rooms and for holding metal objects.

Temperature range:
max. 450°C.

Drawing reference:
1) magnetic face



Order No.	D	D1	H	Magnetic force N
09098-01	13	4,5	10	7
09098-02	19	5,4	13	19
09098-03	25	5,4	16	29
09098-04	32	7	25	66

Magnets strong



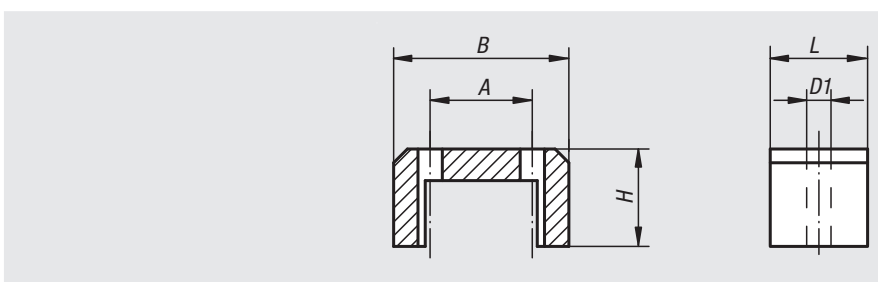
Material:
Magnetic core AlNiCo.

Version:
painted red.

Sample order:
nlm 09100-01

Note:
Horseshoe magnets with high attractive force. Non-shielded system. The magnets are supplied with a electro zinc-plated protective plate and are used for holding, sorting and lifting. Sizes 1, 2 and 3 have only one attachment hole in the centre.

Temperature range:
max. 450°C.



Order No.	Size	A	B	D1	H	L	Magnetic force N
09100-01	1	-	30	5	20	20	45
09100-02	2	-	40	5	25	25	90
09100-03	3	-	45	5	30	29	120
09100-04	4	32	57	8	35	45	230
09100-05	5	38	70	8	41	57	320