

Magnets deep pot with internal thread

NdFeB



Material:

Housing, steel.

Magnetic core NdFeB.

Version:

Housing, electro zinc-plated.

Sample order:

nIm 09068-01

Note:

Shielded system. Deep pot magnets are used for mounting in steel and iron. This requirement is principally stipulated in plant and machine construction. Can also be used in blind holes.

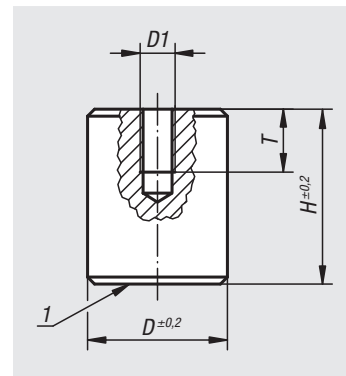
Size D=50 has 4 magnets Ø18 mm.

Temperature range:

max. 80°C.

Drawing reference:

1) magnetic face



Order No.	D	D1	H	T	Can be shortened by (mm)	Magnetic force N
09068-01	8	M3	12	5	3	12
09068-02	10	M4	16	7	7	24
09068-03	13	M4	18	7	3	60
09068-04	16	M4	20	7	6	90
09068-05	20	M5	25	9	9	135
09068-06	25	M6	30	9	10	190
09068-07	35	M8	40	13	10	300
09068-08	50	M12	50	13	13	550