

Magnets deep pot

NdFeB



Material:
Housing brass.
Magnetic core NdFeB (neodymium).

Version:
Housing smooth.

Sample order:
nlm 09067-10-106

Note:
Smooth design, shielded system.
Under no circumstances may Neodym magnets be pressed directly into iron, loss of attractive force due to magnetic short circuits occurs.

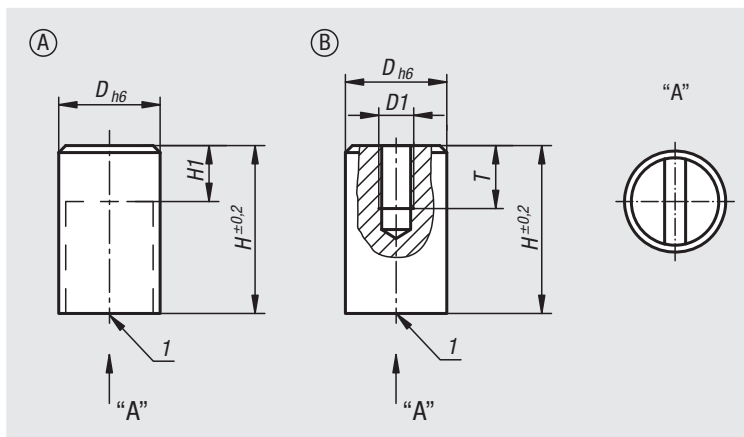
Diameter "D" ground to tolerance h6.

The Form A magnets can be shortened by the dimension "H1" with no loss of magnetic force.

Temperature range:
max. 80°C.

Assembly:
The magnets can be mounted by press-fit, screwing-in or gluing.

Drawing reference:
1) magnetic face



Order No.	Form	D	D1	H	H1	T	Magnetic force N	Gap to iron wall mm
09067-10-106	A	6	-	20	10	-	10	1,5
09067-10-108	A	8	-	20	10	-	25	1,5
09067-10-110	A	10	-	20	8	-	45	2
09067-10-113	A	13	-	20	6	-	70	2,5
09067-10-116	A	16	-	20	2	-	150	3
09067-10-120	A	20	-	25	5	-	280	4
09067-10-125	A	25	-	35	7	-	450	5
09067-10-132	A	32	-	40	4,5	-	700	6
09067-10-206	B	6	M3	20	-	5	10	1,5
09067-10-208	B	8	M3	20	-	5	25	1,5
09067-10-210	B	10	M4	20	-	7	45	2
09067-10-213	B	13	M4	20	-	7	70	2,5
09067-10-216	B	16	M4	25	-	8	150	3
09067-10-220	B	20	M6	25	-	6	280	4
09067-10-225	B	25	M6	35	-	8	450	5
09067-10-232	B	32	M6	40	-	6	700	6

01000
02000
03000
04000
05000
06000
07000
08000
09000
10000
12000