

## Magnets shallow pot

SmCo



**Material:**  
Housing, steel.  
Magnetic core, SmCo.

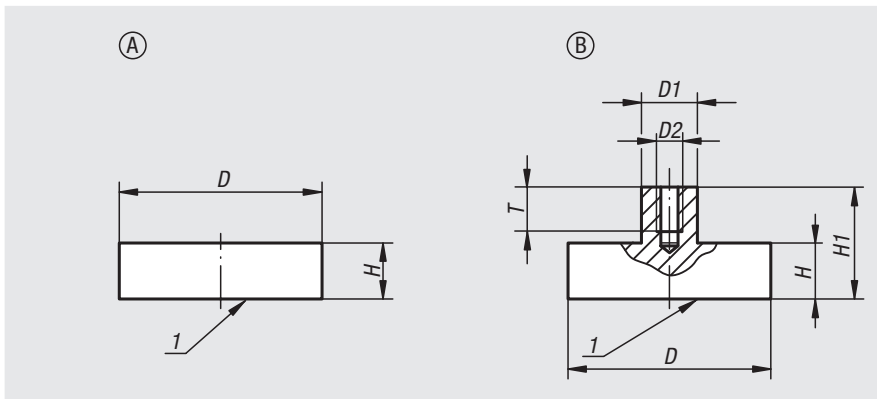
**Version:**  
Housing, electro zinc-plated.

**Sample order:**  
nlm 09066-01

**Note:**  
Shallow pot magnets, shielded system. Magnets with an SmCo core have three to five times the attracting force of AlNiCo or hard ferrite magnets.

**Temperature range:**  
max. 200°C.

**Drawing reference:**  
1) magnetic face



| Order No.<br>Form A | Order No.<br>Form B | D        | D1   | D2   | H   | H1     | T    | Magnetic<br>force<br>N |
|---------------------|---------------------|----------|------|------|-----|--------|------|------------------------|
| 09066-01            | 09066-11            | 6 ±0,15  | -/6  | -/M3 | 4,5 | -/11,5 | -/6  | 5                      |
| 09066-02            | 09066-12            | 8 ±0,15  | -/6  | -/M3 | 4,5 | -/11,5 | -/6  | 11                     |
| 09066-03            | 09066-13            | 10 ±0,15 | -/6  | -/M3 | 4,5 | -/11,5 | -/6  | 20                     |
| 09066-04            | 09066-14            | 13 ±0,15 | -/6  | -/M3 | 4,5 | -/11,5 | -/6  | 40                     |
| 09066-05            | 09066-15            | 16 ±0,15 | -/6  | -/M4 | 4,5 | -/11,5 | -/6  | 60                     |
| 09066-06            | 09066-16            | 20 ±0,15 | -/8  | -/M4 | 6   | -/13   | -/9  | 90                     |
| 09066-07            | 09066-17            | 25 ±0,15 | -/8  | -/M4 | 7   | -/14   | -/9  | 150                    |
| 09066-08            | 09066-18            | 32 ±0,20 | -/10 | -/M5 | 7   | -/15,5 | -/10 | 220                    |

## Magnets deep pot

SmCo



**Material:**  
Housing brass.  
Magnetic core SmCo.

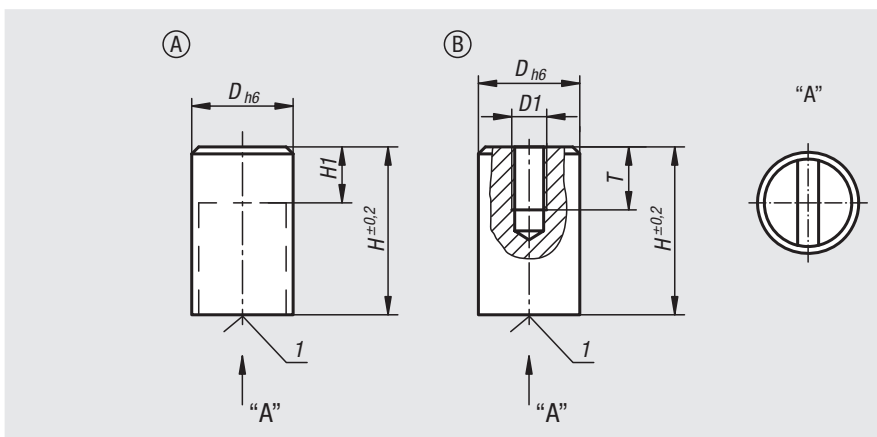
**Sample order:**  
nlm 09067-01

**Note:**  
Smooth design, shielded system. Diameter „D“ ground with h6 tolerance. Under no circumstances may SmCo magnets be pressed directly into iron, loss of attractive force due to magnetic short circuits occurs. SmCo magnets are especially suitable for direct use in spot-welding machines, as no demagnetisation occurs.

Deep pot magnets Form A can be shortened by the dimension „H1“ with no loss of magnetic force.

**Temperature range:**  
max. 200°C.

**Drawing reference:**  
1) magnetic face



| Order No.<br>Form A | Order No.<br>Form B | D  | D1   | H1    | H     | T   | Magnetic<br>force<br>N | Gap to<br>iron wall<br>mm |
|---------------------|---------------------|----|------|-------|-------|-----|------------------------|---------------------------|
| 09067-01            | 09067-02            | 6  | -/M3 | 10/-  | 20    | -/5 | 8                      | 1,5                       |
| 09067-03            | 09067-04            | 8  | -/M3 | 10/-  | 20    | -/5 | 22                     | 1,5                       |
| 09067-05            | 09067-06            | 10 | -/M4 | 8/-   | 20    | -/7 | 40                     | 2                         |
| 09067-07            | 09067-08            | 13 | -/M4 | 6/-   | 20    | -/7 | 60                     | 2,5                       |
| 09067-09            | 09067-10            | 16 | -/M4 | 2/-   | 20/25 | -/8 | 125                    | 3                         |
| 09067-11            | 09067-12            | 20 | -/M6 | 5/-   | 25    | -/6 | 250                    | 4                         |
| 09067-13            | 09067-14            | 25 | -/M6 | 7/-   | 35    | -/8 | 400                    | 5                         |
| 09067-15            | 09067-16            | 32 | -/M6 | 4,5/- | 40    | -/6 | 600                    | 6                         |